

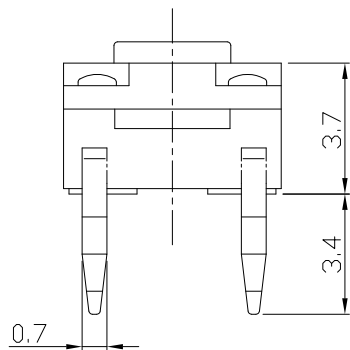
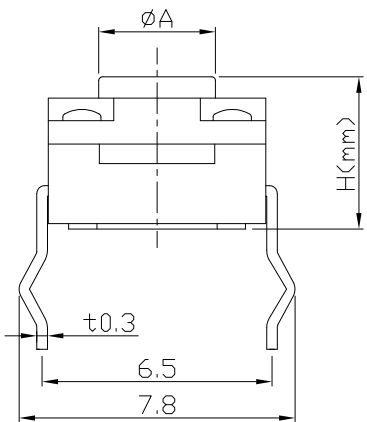


RoHS Compliant  
2002/95/EC

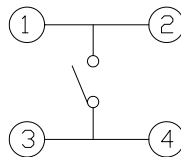


REV.	ECN. NO.	APPD.

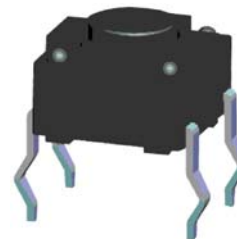
DIMENSIONS



CIRCUIT DIAGRAM



PRODUCT IMAGE

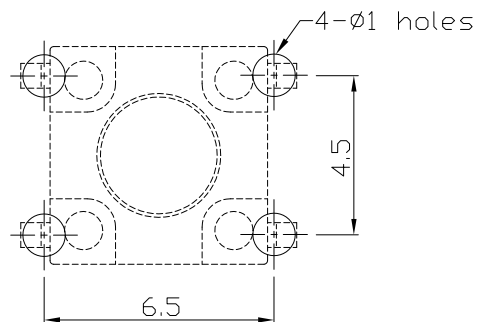
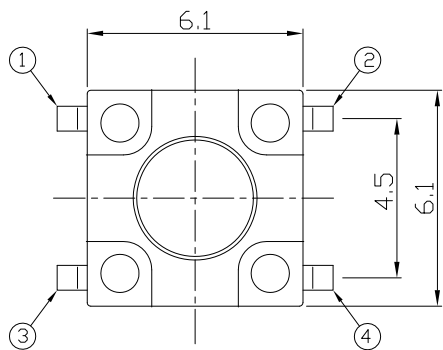


MODEL CODE

AT-1141-

	H	ØA
-	4.3	3.5
A	4.5	3.5
C	5.0	3.5
D	5.5	3.4
E	6.0	3.4
F	6.5	3.3
G	7.0	3.4
H	7.5	3.3
I	8.0	3.3
J	8.5	3.3
K	9.0	3.0

P.C.B MOUNTING PATTERN DIMENSION  
The following soldering patterns are recommended for reflow soldering



ELECTRO-MECHANICAL CHARACTERISTICS

Refer to additional specifications

Rating	DC 12V 50mA	
Contact Resistance	100mΩ Max.	
Insulation Resistance	100MΩ<DC 500V / 1 min> Min.	
Withstanding Voltage	250 VAC / min.	
Travel	0.25 ± 0.1mm	
Operating Force	160±50gf	260±50gf
Operating Life(cycles)	100,000	

.X ±0.3

X. ±2'

UNITS

mm

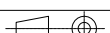
MAT'L

SEE NOTE

FINISH

SEE NOTE

Q'TY



THESE DRAWINGS AND SPECIFICATIONS ARE THE PROPERTY OF ACCURATE INNOTECH INC AND SHALL NOT BE REPRODUCED, COPIED OR USED IN ANY MANNER WITHOUT THE PRIOR WRITTEN CONSENT OF ACCURATE INNOTECH INC.

雅安科技有限公司  
ACCURATE INNOTECH INC.

TITLE:  
TACT SWITCH / waterproof  
DR: *Ricky* 2017/03/23  
CHKD: *Ricky* 2017/03/23  
APPD:

PART NO.:  
AT-1141 SERIES  
DWG NO.:  
ASI-1141  
SCALE SHEET REV. CUSTOMER  
1:1 1/1 A DRAWING

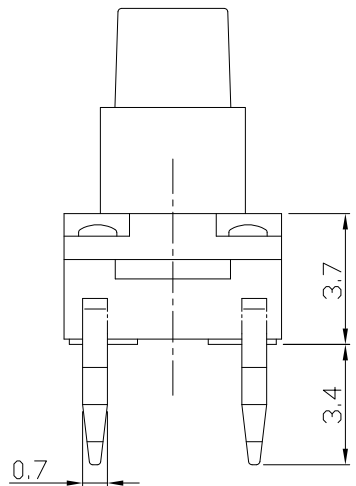
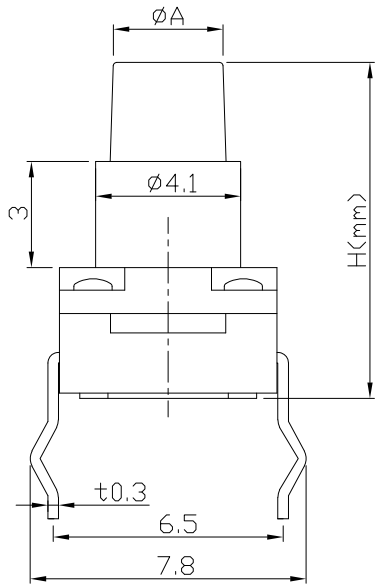


**RoHS Compliant**  
2002/95/EC

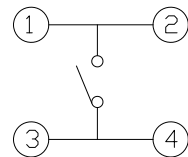


REV.	ECN.	NO.	APPD.

**DIMENSIONS**



**CIRCUIT DIAGRAM**



**PRODUCT IMAGE**

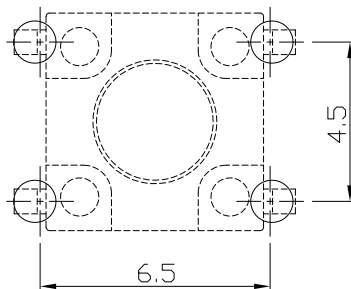
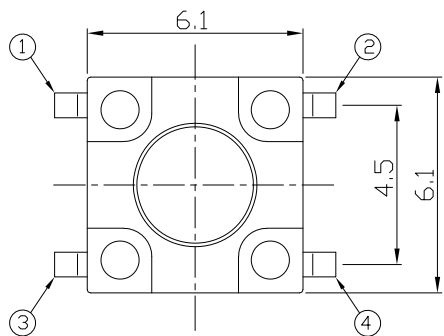


**MODEL CODE**

AT-1141-

	H	$\phi A$
L	9.5	3.1
M	10.0	3.1
N	10.5	3.0
O	11.0	3.0
P	11.5	3.0
Q	12.0	3.0

**P.C.B MOUNTING PATTERN DIMENSION**  
The following soldering patterns are recommended for reflow soldering



**ELECTRO-MECHANICAL CHARACTERISTICS**

Refer to additional specifications

Rating	DC 12V 50mA	
Contact Resistance	100m $\Omega$ Max.	
Insulation Resistance	100M $\Omega$ (DC 100V / 1 min) Min.	
Withstanding Voltage	100 VAC / min.	
Travel	0.25 $\pm$ 0.1mm	
Operating Force	160 $\pm$ 70gf	260 $\pm$ 70gf
Operating Life(cycles)	100,000	

.X  $\pm$  0.3

X.  $\pm$  2'

UNITS

mm

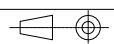
MAT'L

SEE NOTE

FINISH

SEE NOTE

Q'TY



**雅安科技有限公司**  
**ACCURATE INNOTECH INC.**

TITLE: TACT SWITCH / waterproof

DR: *Ricky* 2020/10/24

CHKD: *Ricky* 2020/10/24

APPD:

PART NO.:

AT-1141 SERIES 帶護套

DWG NO.:

ASI-1141

SCALE

1:1

SHEET

1/1

REV.

A

CUSTOMER

DRAWING

THESE DRAWINGS AND SPECIFICATIONS ARE THE PROPERTY OF ACCURATE INNOTECH INC AND SHALL NOT BE REPRODUCED, COPIED OR USED IN ANY MANNER WITHOUT THE PRIOR WRITTEN CONSENT OF ACCURATE INNOTECH INC.