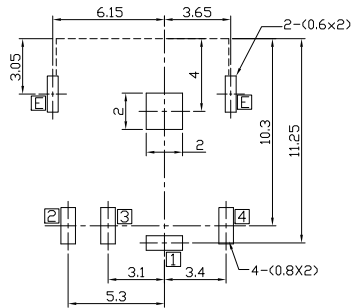
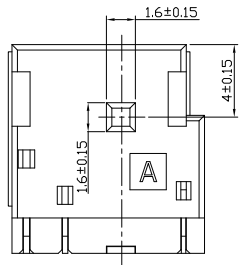
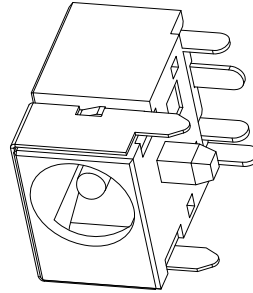
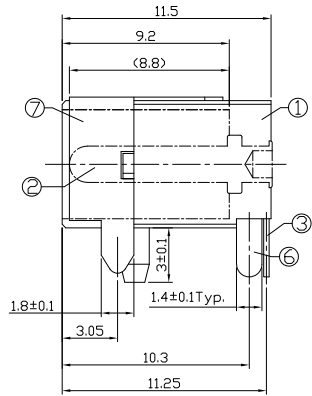
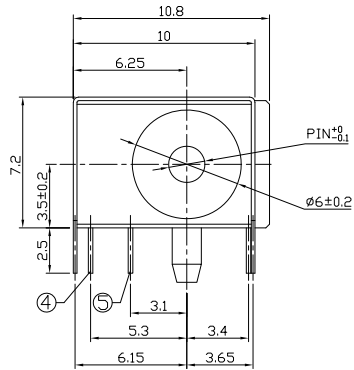


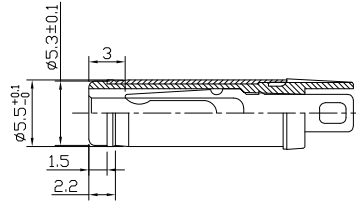


RoHS Compliant
2002/95/EC

DIMENSIONS



PCB HOLES(BOTTOM VIEW) t=1.6mm
NOTE:GENERAL TOLERANCE:±0.05mm
(BOTTOM VIEW)



DC MATE PLUG

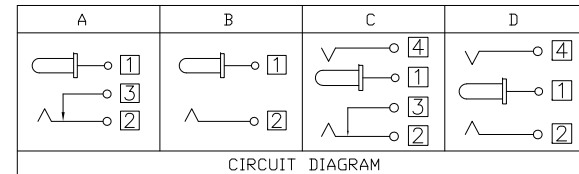
MODEL CODE:

DCB0-0044C- C □ PB BK S 0 4

- (1):Series type:DIP DC POWER JACK.
- (2):Series No.
- (3):Schematic option: A , B , C , D
- (4):Center pin diameter:
G=Ø1.65 , H=Ø2.0 , J=Ø2.5
- (5):Material of housing:
PB=PBT , 9T=PA9T , 10=PA10T
- (6):Housing color:
BK=Black (Standard)
- (7):Terminal plating
S=Silver(Ag)(Standard)
- (8):Special option:
0=No special option
H=Housing is Halogen Free
- (9):Packing mode:
1=Reel packing
3=Plastic box packing
4=Bag packing

SPECIFICATION:

- 1.Rating : DC 25V 3A;
- 2.Contact resistance: ≤30mΩ
After test:≤50mΩ
- 3.Insulation resistance: ≥100MΩ (DC500V);
After test:≥50MΩ
- 4.Withstand voltage: 500VAC ;
- 5.Insertion and extraction force: 3-30N;
- 6.life test: 5,000 cycles;
- 7.Operation temperature range:-20°C~70°C;
- 8.Preservative temperature range:-40°C~85°C;



Model No.	G	H	J
CENTER PIN	Ø1.65	Ø2.0	Ø2.5

○: ITEM NO. □: TERMINAL NO.

NO.	PARTS	MATERIAL	Q'TY	FINISHING	TOLERANCE	ANGLES	UNITS	雅安科技有限公司 ACCURATE INNOTECH INC.				
							mm					
7	Ground shield	Brass t=0.2	1	Nickel plating	±0.3	±2°	MAT'L	TITLE: DIP DC POWER JACK DR: <i>Ricky</i> 2019/04/29 CHKD: <i>Ricky</i> 2019/04/29 APPD:	PART NO.: DCB0-0044C			DWG NO.: AB0-0044C
6	Tip spring-2	Phosphor Bronze t=0.25	1	Silver plating		SEE NOTE						
5	Shunt Terminal	Brass t=0.3	1	Silver plating		SEE NOTE	SCALE		SHEET	REV.	CUSTOMER	
4	Tip spring-1	Phosphor Bronze t=0.3	1	Silver plating		SEE NOTE	1:1		1/1	A	DRAWING	
3	Center pin terminal	Brass t=0.3	1	Silver plating			Q'TY					
2	Center pin	Copper alloy	1	Nickel plating								
1	Housing	PBT/PA9T/PA10T	1	Black								
							THESE DRAWINGS AND SPECIFICATIONS ARE THE PROPERTY OF ACCURATE INNOTECH INC AND SHALL NOT BE REPRODUCED, COPIED OR USED IN ANY MANNER WITHOUT THE PRIOR WRITTEN CONSENT OF ACCURATE INNOTECH INC.					