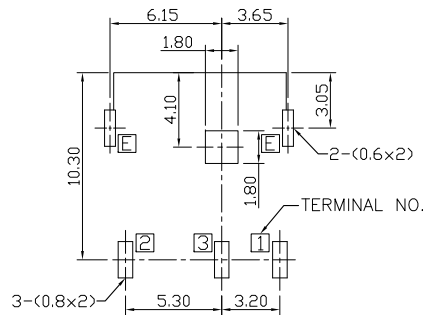
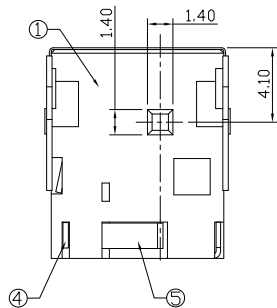
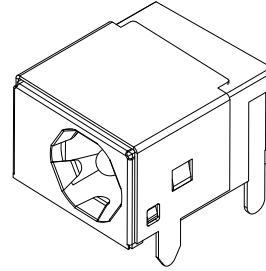
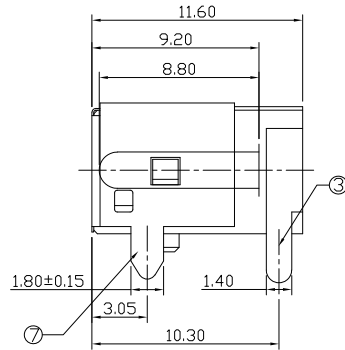
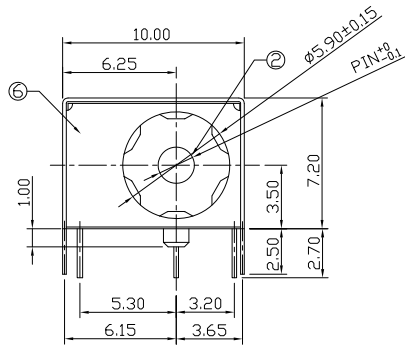




RoHS
Compliant
2002/95/EC

DIMENSIONS



PCB HOLES (BOTTOM VIEW) $t=1.6\text{mm}$
NOTE: GENERAL TOLERANCE: $\pm 0.05\text{mm}$

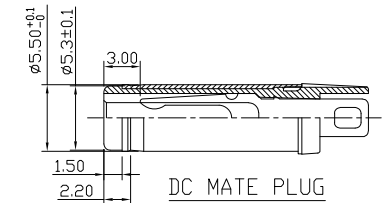
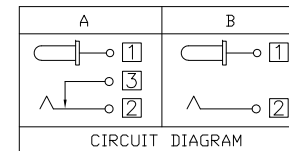
MODEL CODE:

DCB0-0044H- A □ 9T BK S 0 1

- (1): Series type: DIP DC POWER JACK.
- (2): Series No.
- (3): Schematic option: A, B
- (4): Center pin diameter:
G= $\phi 1.65$, H= $\phi 2.0$, J= $\phi 2.5$
- (5): Material of housing:
9T=PA9T
- (6): Housing color:
BK=Black (Standard)
- (7): Terminal plating
S=Ag:8u"
A=Ag:20u"
- (8): Special option:
0=No special option
- (9): Packing mode:
1=Reel packing
3=Plastic box packing
4=Bag packing

SPECIFICATION:

- 1. Rating : DC 25V 3A;
- 2. Contact resistance: $\leq 50\text{m}\Omega$;
After test: $\leq 100\text{m}\Omega$
- 3. Insulation resistance: $\geq 100\text{M}\Omega$ (DC500V);
After test: $\geq 50\text{M}\Omega$
- 4. Withstand voltage: 500VAC ;
- 5. Insertion and extraction force: 3-30N;
- 6. Life test: 5,000 cycles;
- 7. Operation temperature range: $-20^\circ\text{C} \sim 70^\circ\text{C}$;
- 8. Preservative temperature range: $-40^\circ\text{C} \sim 85^\circ\text{C}$;



Model No.	G	H	J
CENTER PIN	$\phi 1.65$	$\phi 2.0$	$\phi 2.5$

○: ITEM NO. □: TERMINAL NO.

NO.	PARTS	MATERIAL	Q'TY	FINISHING	TOLERANCE	ANGLES	UNITS mm	雅安科技有限公司 ACCURATE INNOTECH INC.				
7	Ground shield	Brass $t=0.20$	1	Ni:40u"Min	.X ± 0.50	X $\pm 5'$	MAT'L	TITLE: DIP DC POWER JACK PART NO.: DCB0-0044H				
6	Shield plate	Stainless steel $t=0.10$	1		.XX ± 0.30	.X $\pm 3'$	SEE NOTE					
5	Shunt Terminal	Brass $t=0.30$	1	Ag:8u"/Ag:20u"	.XXX ± 0.15	.XX $\pm 2'$	FINISH	DR: Ricky 2019/04/29 DWG NO.: AB0-0044H				
4	Tip Spring	Phosphor Bronze $t=0.30$	1	Ag:8u"/Ag:20u"			SEE NOTE					
3	Center pin contact	Brass $t=0.25$	1	Ag:8u"/Ag:20u"	THESE DRAWINGS AND SPECIFICATIONS ARE THE PROPERTY OF ACCURATE INNOTECH INC AND SHALL NOT BE REPRODUCED, COPIED OR USED IN ANY MANNER WITHOUT THE PRIOR WRITTEN CONSENT OF ACCURATE INNOTECH INC.			Q'TY	CHKD: Ricky 2019/04/29			
2	Center pin	Copper alloy	1	Ni:40u"Min				APPD:	SCALE SHEET REV. CUSTOMER 1:1 1/1 A DRAWING			
1	Housing	HIGH TEMP. THERMOPLASTIC	1	Black								