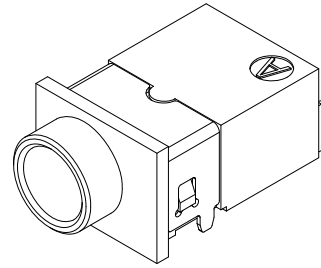




RoHS
Compliant
2002/95/EC



DIMENSIONS



MODEL CODE:

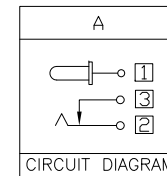
DCB0-02030- A E 10 BK G 0 1

(1) (2) (3)(4)(5) (6) (7)(8) (9)

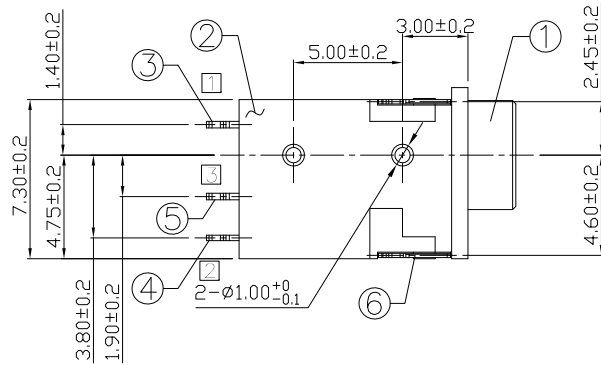
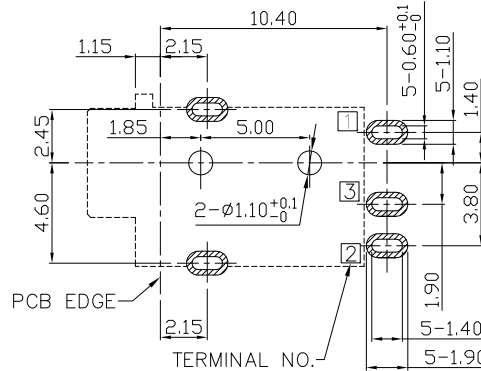
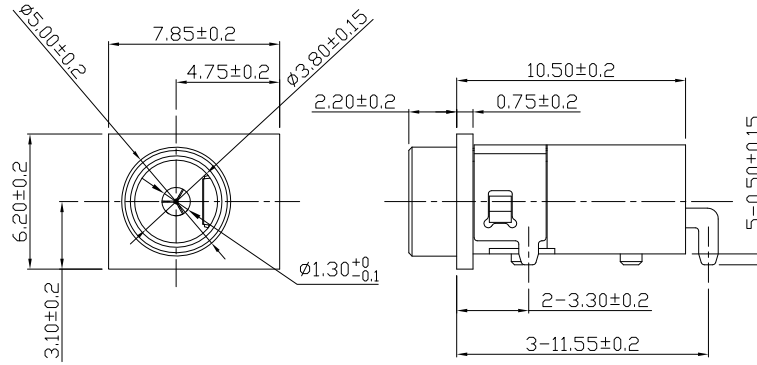
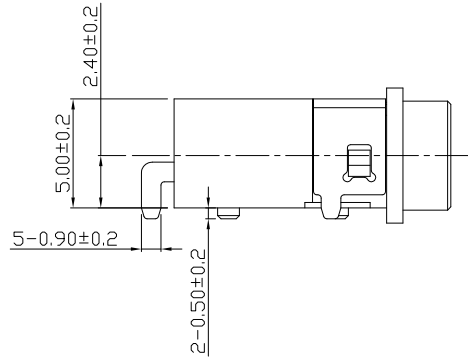
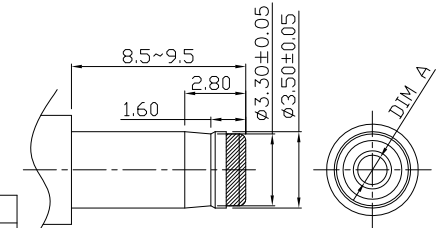
- (1):Series type:WATERPROOF DIP DC POWER JACK.
- (2):Series No.
- (3):Schematic option: A
- (4):Center pin diameter:
E=φ1.3
- (5):Material of housing:
10=PA10T
- (6):Housing color:
BK=Black (Standard)
- (7):Terminal plating
G=Gold(Au 1u")
- (8):Special option:
0=No special opion
1=No Shield
- (9):Packing mode:
1=Tape&Reel packing

Specification:

- 1.Rating : DC 30V 5A.
- 2.Contact resistance : ≤30mΩ
After life test:≤50mΩ
- 3.Insulation resistance : ≥100MΩ (500VDC).
After life test:≥50MΩ
- 4.Withstand voltage : 500VAC.
- 5.Insertion and extraction force :
Initial:3N~30N.
After life test:2N~20N.
- 6.life test : 5000cycles min.
- 7.Operation temperature range:-20℃~70℃.
- 8.Preservative temperature range:-40℃~85℃.
- 9.Ingress protection:IP-X7.



Model No.	E
CENTER PIN	φ1.3
DIM A	φ1.35 ^{+0.10} / _{0.00}



○: ITEM NO. □: TERMINAL NO.

NO.	PARTS	MATERIAL	Q'TY	FINISHING	TOLERANCE	ANGLES	UNITS
⑥	Shield	Brass t=0.20	1	Ni plating			mm
⑤	Shunt terminal	Brass t=0.30	1	Gold Flash	±0.3	±2'	MAT'L
④	Tip spring	Phosphor bronze t=0.25	1	Gold Flash			SEE NOTE
③	Center pin	Phosphor bronze t=0.30	1	Gold Flash			FINISH
②	Cover	PA10T UL94V-0	1	Black			SEE NOTE
①	Housing	PA10T UL94V-0	1	Black			Q'TY

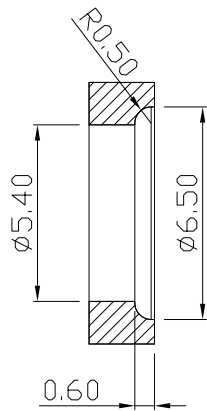
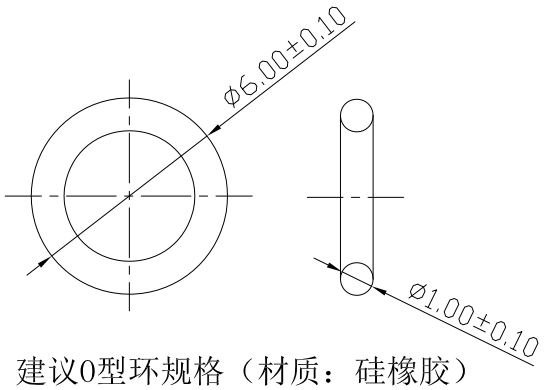
THESE DRAWINGS AND SPECIFICATIONS ARE THE PROPERTY OF ACCURATE INNOTECH INC AND SHALL NOT BE REPRODUCED, COPIED OR USED IN ANY MANNER WITHOUT THE PRIOR WRITTEN CONSENT OF ACCURATE INNOTECH INC.

雅安科技有限公司 ACCURATE INNOTECH INC.			
TITLE: WATERPROOF DIP DC POWER JACK		PART NO.: DCB0-02030	
DR: Ricky 2019/03/04		DWG NO.: AB0-02030	
CHKD: Ricky 2019/03/04		SCALE	SHEET
APPD:		1:1	1/2
		REV.	CUSTOMER DRAWING
		A	

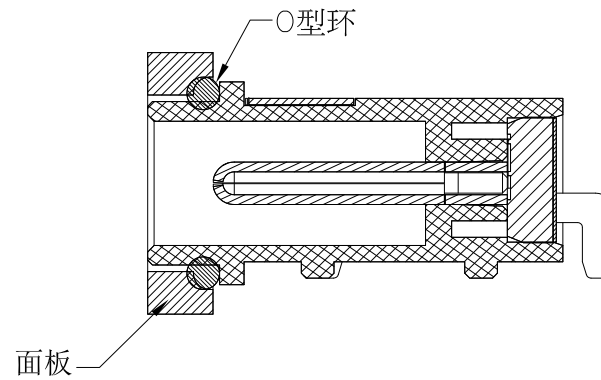


RoHS
Compliant
2002/95/EC

REV.	ECN.	NO.	APPD.



Recommended open dimension of case
TOLERANCE: $\pm 0.03\text{mm}$
MATTING AREA WITH SEALING RING



组装O型环和面板后示意图

TOLERANCE	ANGLES	UNITS mm	雅安科技有限公司 ACCURATE INNOTECH INC.				
± 0.3	$\pm 2^\circ$	MAT'L SEE NOTE					TITLE: WATERPROOF DIP DC POWER JACK
THESE DRAWINGS AND SPECIFICATIONS ARE THE PROPERTY OF ACCURATE INNOTECH INC AND SHALL NOT BE REPRODUCED, COPIED OR USED IN ANY MANNER WITHOUT THE PRIOR WRITTEN CONSENT OF ACCURATE INNOTECH INC.			FINISH SEE NOTE	DR: <i>Ricky</i> 2019/03/04	DWG NO.: AB0-02030		
			Q'TY	CHKD: <i>Ricky</i> 2019/03/04	SCALE	SHEET	REV.
			APPD:	1:1	2/2	A	DRAWING