

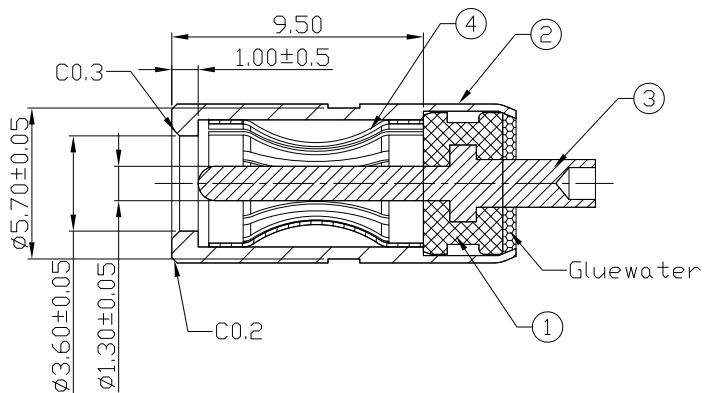
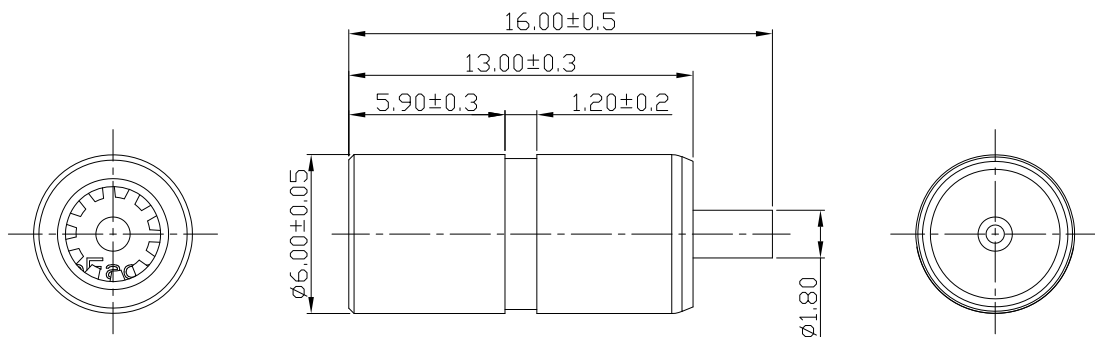


RoHS
Compliant
2002/95/EC



Halogen Free

DIMENSIONS



MODEL CODE:

DCB0-02060- B E 10 BK C 0 4

(1) (2) (3)(4)(5) (6)(7)(8) (9)

(1):Series type:WATERPROOF DC POWER JACK.

(2):Series No.

(3):Schematic option: B

(4):Center pin diameter:

E=∅1.30

(5):Material of housing:

10=PA10T

(6):Housing color:

BK=Black (Standard)

(7):Terminal plating:

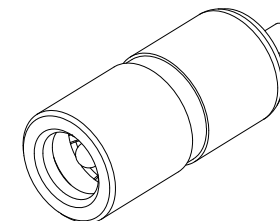
C=CuSn 40u"Min

(8):Special option:

0=No special option

(9):Packing mode:

4=Bag packing



Specification:

1.Rating: DC 30V 1A;

2.Contact resistance: ≤30mΩ;

After test: ≤50mΩ

3.Insulation resistance: ≥100MΩ (500VDC);

After test: ≥50MΩ

4.Withstand voltage: 500VAC;

5.Insertion and extraction force:

Initial: 5N~30N.

After life test:3N~30N.

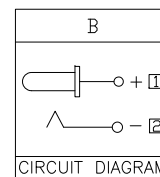
6.life test: 5000cycles MIN.;

7.Operation temperature range: -20°C~70°C

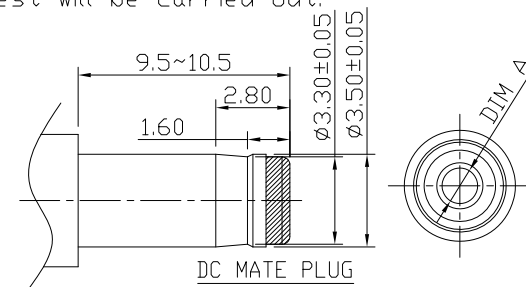
8.Preservative temperature range: -40°C~85°C

9.Ingress protection: IP-X7.

10.After welding for 4 hours at ambient temperature, the waterproof test will be carried out.



Model No.	E
CENTER PIN	∅1.3
DIM A	∅1.35 ^{+0.10} / _{-0.00}



○: ITEM NO. □: TERMINAL NO.

NO.	PARTS	MATERIAL	Q'TY	FINISHING	TOLERANCE	ANGLES	UNITS	雅安科技有限公司 ACCURATE INNOTECH INC.					
					.X ±0.38	X.* ±5°	mm						
④	Spring	Phosphor bronze t=0.20	1	CuSn-Plating	.XX ±0.30	.X.* ±3°	MAT'L	TITLE:	PART NO.:				
③	Center pin	Brass	1	CuSn-Plating	.XXX ±0.15	.XX.* ±2°	SEE NOTE	WATERPROOF DC POWER JACK	DCB0-02060				
②	Bushing	Brass	1	Ni-Plating	THESE DRAWINGS AND SPECIFICATIONS ARE THE PROPERTY OF ACCURATE INNOTECH INC AND SHALL NOT BE REPRODUCED, COPIED OR USED IN ANY MANNER WITHOUT THE PRIOR WRITTEN CONSENT OF ACCURATE INNOTECH INC.			DR:	Ricky 2023/10/27		DWG NO.:		
①	Housing	PA10T UL94V-0	1	Black, HF				SEE NOTE	FINISH	CHKD:	Ricky 2023/10/27		AB0-02060
							Q'TY	APPD:		SCALE	SHEET	REV.	CUSTOMER
										1:1	1/1	A	DRAWING