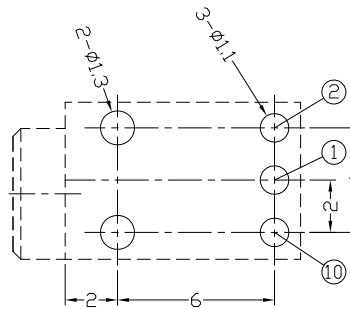
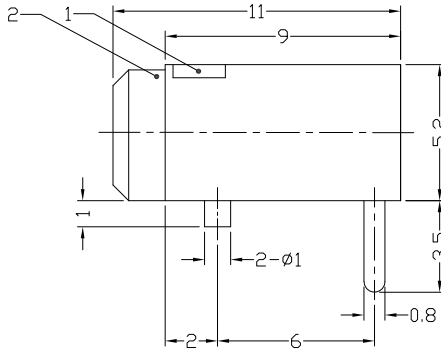
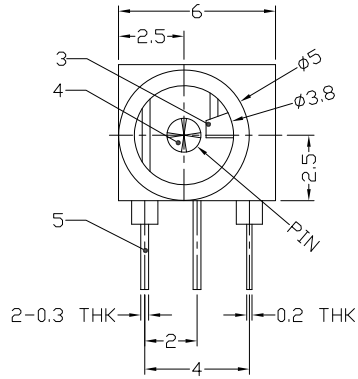




RoHS  
Compliant  
2002/95/EC

REV.	ECN.	NO.	APPD.

### DIMENSIONS



P.C.B LAYOUT  
BOTTOM VIEW

### MODEL CODE:

DCJ0-04130- A □ 66 BK S 0 4

(1) (2) (3)(4) (5) (6) (7)(8) (9)

(1):Series type:DIP DC POWER JACK.

(2):Series No.

(3):Schematic option: A

(4):Center pin diameter:

C=φ1.0 , E=φ1.3

(5):Material of housing:

66=PA66

(6):Housing color:

BK=Black

(7):Terminal plating

S=Silver(Ag)

(8):Special option:

0=No special option

(9):Packing mode:

4=Bag packing

### Specification:

1.Rating : DC 30V 0.3A.

2.Contact resistance : ≤100mΩ.

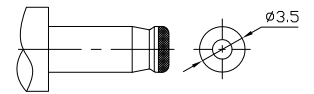
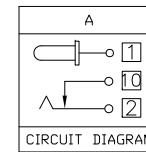
3.Insulation resistance : ≥100MΩ (500VDC).

4.Withstanding voltage : 500VAC .

5.Insertion and extraction force : 0.3~3Kgs.

6.life test : 5000cycles min.

7.□peration temperature range:-25°C~85°C



DC MATE PLUG

Model No.	C	E
CENTER PIN	φ1.0	φ1.3

### Bill of materials:

NO.	PARTS	MATERIAL	Q'TY	FINISHING
5	TERMINAL	BRASS STRIP	1	Ag PLATED OVER Ni PLATED
4	PLUG PIN	BRASS STRIP	1	Ag PLATED OVER Ni PLATED
3	SPRING TERMINAL	SUS STRIP	1	Ag PLATED OVER Ni PLATED
2	CASE	NYLON+94V0+F.G	1	BLACK
1	COVER	NYLON+94V0+F.G	1	BLACK

GENERAL TOLERANCE	UNITS
WITHIN 1.5mm±0.1mm	mm
OVER 1.5mm±0.2mm	SEE NOTE
FINISH	SEE NOTE
Q'TY	SEE NOTE

MAT'L	FINISH	Q'TY
SEE NOTE	SEE NOTE	SEE NOTE

TITLE:	DR:	CHKD:	APPD:
DIP DC POWER JACK	Ricky 2019/03/20	Ricky 2019/03/20	

PART NO.:	DWG NO.:	SCALE	SHEET	REV.	CUSTOMER DRAWING
DCJ0-04130	ADJ-04130	1:1	1/1	A	

THESE DRAWINGS AND SPECIFICATIONS ARE THE PROPERTY OF ACCURATE INNOTECH INC AND SHALL NOT BE REPRODUCED, COPIED OR USED IN ANY MANNER WITHOUT THE PRIOR WRITTEN CONSENT OF ACCURATE INNOTECH INC.