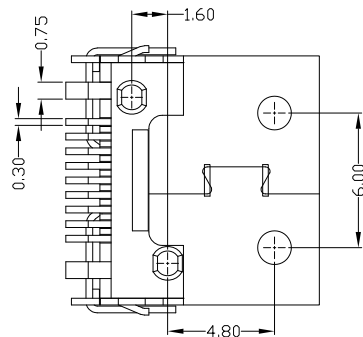
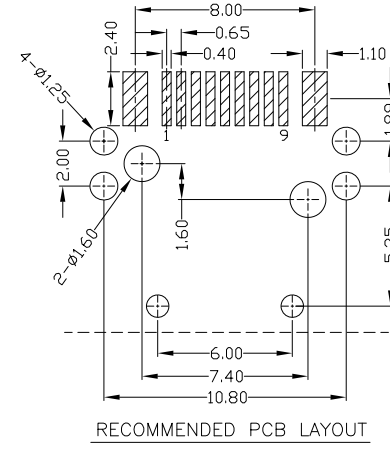
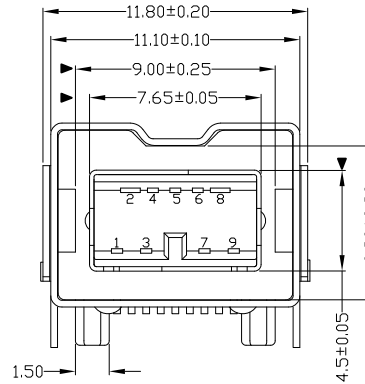
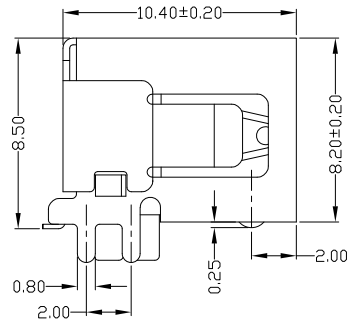
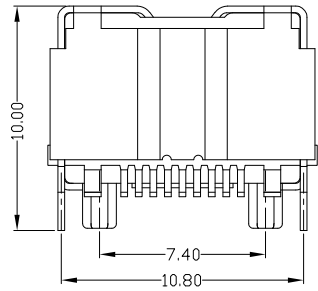
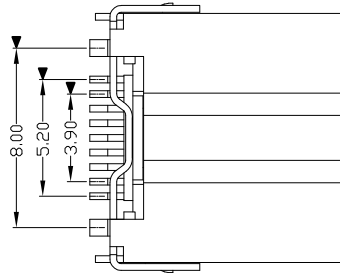




RoHS  
Compliant  
2002/95/EC

REV.	ECN.	NO.	APPD.



脚号	名称
1	TPB-
2	TPB+
3	TPA-
4	TPA+
5	TPA屏蔽
6	VG
7	NC
8	VP
9	TPB屏蔽

NOTES:

- ELECTRICAL:
  - VOLTAGE CURRENT RATING: 1AMP,30V DC;
  - INSULATION RESISTANCE: 100MΩ MIN;
  - CONTACT RESISTANCE: 50mΩ MAX;
  - WITHSTANDING VOLTAGE: 300V AC;
  - OPERATING TEMPERATURE:-55°C TO +85°C.
- Mechanical:
  - Mating Force: 30N MAX
  - Unmating Force: 7N MIN.
- DIMENSIONS MARKED "▼" TO BE CHECKED BY Q.C & IPQC.

4.PART NO.

IENF-092N-4BH80

2:AU 3U\*  
 W:WHITE  
 B:BLACK  
 1:PBT  
 2:PA6T  
 3:PA9T  
 4:LCP

Bill of materials:

NO	PARTS	MATERIAL	QTY	FINISHING
4	HOUSING	LCP	1	UL94V-0
3	OUTSIDE SHELL	COPPER ALLOY	1	PLATED NICKEL
2	INNER SHELL	COPPER ALLOY	1	PLATED NICKEL
1	TERMINAL	COPPER ALLOY	9	PLATED GOLD

THESE DRAWINGS AND SPECIFICATIONS ARE THE PROPERTY OF ACCURATE INNOTECH INC AND SHALL NOT BE REPRODUCED, COPIED OR USED IN ANY MANNER WITHOUT THE PRIOR WRITTEN CONSENT OF ACCURATE INNOTECH INC.

UNITS	mm	雅安科技有限公司 ACCURATE INNOTECH INC.			
MAT'L	SEE NOTE				
FINISH	SEE NOTE	TITLE:	PART NO.:		
Q'TY	SEE NOTE	IEEE 1394 9P/F SMT 斜角改点	IENF-092N-4BH80		
APPD:	Ricky	DR:	AII-H80		
		CHKD:	DWG NO.:		
		SCALE	SHEET	REV.	CUSTOMER DRAWING
		1:1	1/1	B	