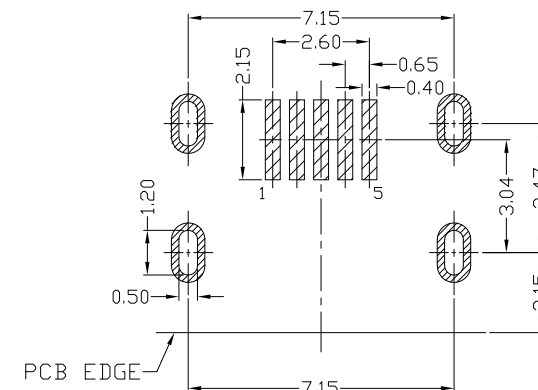
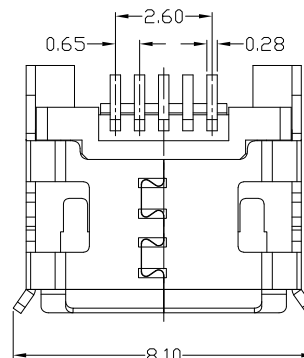
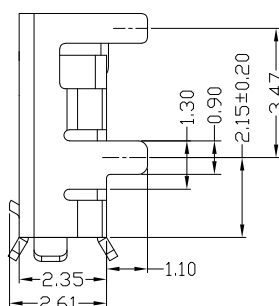
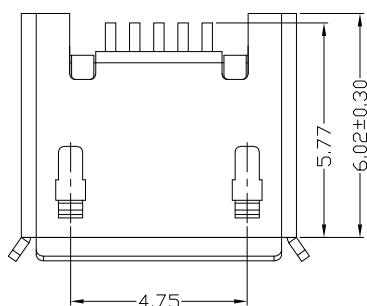
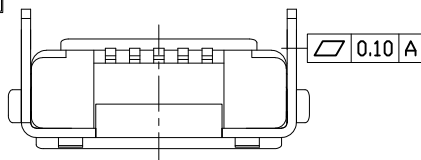




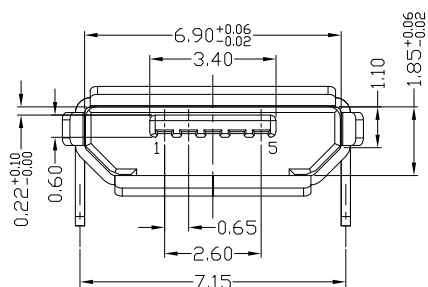
RoHS  
Compliant  
2002/95/EC

Halogen Free

REV.	ECN.	NO.	APPD.



RECOMMENDED PCB LAYOUT



NOTES:

1.ELECTRICAL:

- 1)VOLTAGE CURRENT RATING:PIN1&5 1.8AMP MAX / PIN2&3&4 1AMP MAX. ,30V AC;
- 2)INSULATION RESISTANCE: 100MΩ MIN;
- 3)CONTACT RESISTANCE: 30mΩ MAX;
- 4)WITHSTANDING VOLTAGE: 100V AC; FOR 1 MIN.
- 5)OPERATING TEMPERATURE:-30°C TO +80°C.

2.Mechanical:

- 1)Mating Force: 35N MAX
- 2)Unmating Force: 10N MIN.

3.DIMENSIONS MARKED "▼" TO BE CHECKED BY Q.C & IPQC.

MUYF-051N-4BHUA292

- 1:Au 1U"
- 6:Au 30U"
- T:TIN
- N:NICKEL
- W:WHITE
- B:BLACK
- 1:PBT
- 2:PA6T
- 3:PA9T
- 4:LCP

Bill of materials:

NO	PARTS	MATERIAL	QTY	FINISHING	TOLERANCES		UNITS	雅安科技有限公司 ACCURATE INNOTECH INC.						
					.X	±0.15	X.*					±1°	mm	
3	SHELL	COPPER ALLOY	1	PLATED TIN	.X	±0.15	X.*	±1°	MAT'L	TITLE: MICRO USB B TYPE F 5P 插板7.2 无柱 脚长1.1四脚全插 加长0.75		PART NO.:		
2	HOUSING	LCP+30%GF	1	UL94V-0	.XX	±0.10			SEE NOTE	DR: Ricky 2021/06/25		MUYF-05XN-4BHUA292		
1	TERMINAL	COPPER ALLOY	5	PLATED GOLD	.XXX	±0.05			FINISH	CHKD: Ricky 2021/06/25		DWG NO.:		
					THESE DRAWINGS AND SPECIFICATIONS ARE THE PROPERTY OF ACCURATE INNOTECH AND SHALL NOT BE REPRODUCED, COPIED OR USED IN ANY MANNER WITHOUT THE PRIOR WRITTEN CONSENT OF ACCURATE INNOTECH INC.				Q'TY	APPD:		AII-HUA292		
										SCALE		SHEET	REV.	CUSTOMER
										5:1		1/1	B	DRAWING