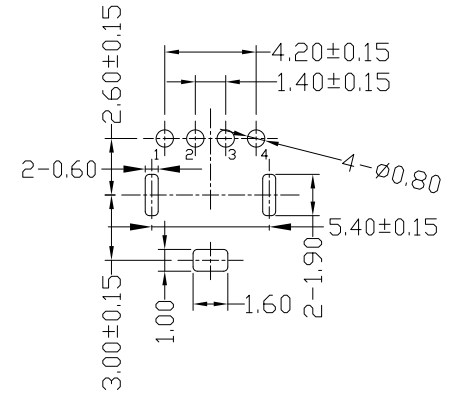
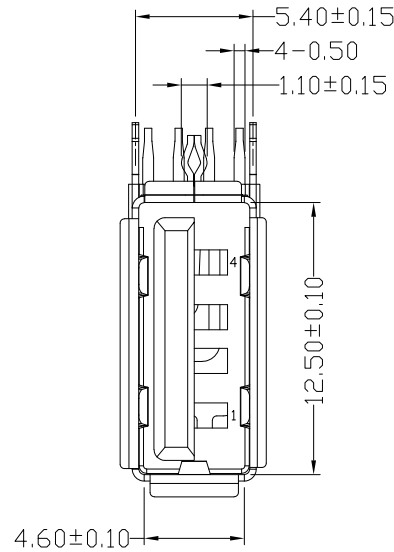
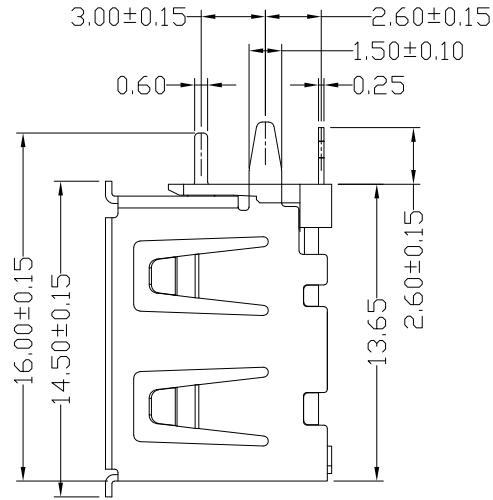
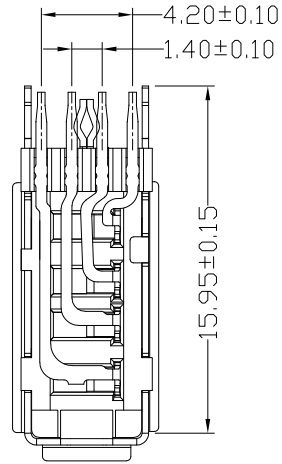
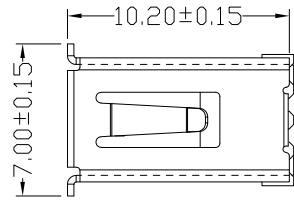


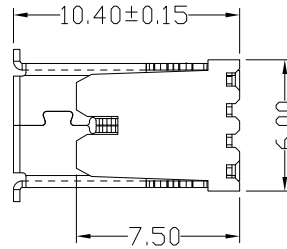


RoHS Compliant
2002/95/EC

REV.	ECN.	NO.	APPD.



RECOMMENDED PCB LAYOUT
GENERAL TOLERANCES: ±0.05



NOTES:

1.ELECTRICAL:

- 1) VOLTAGE CURRENT RATING: 1.5AMP, 30V DC;
- 2) INSULATION RESISTANCE: 1000MΩ MIN;
- 3) CONTACT RESISTANCE: 30mΩ MAX;
- 4) WITHSTANDING VOLTAGE: 500V AC FOR 1MINUTE;
- 5) OPERATING TEMPERATURE: -55°C TO +85°C.

2.MECHANICAL:

- 1) MATING FORCE: 35N MAX.
- 2) UNMATING FORCE: 10N MIN.

3.DIMENSIONS MARKED "▼"

TO BE CHECKED BY Q.C & IPQC.

USAF-041N-1*CJ516

1: Au 1U*
6: Au 30U*

W: WHITE
B: BLACK

1: PBT
2: PA6T
3: PA9T
4: LCP

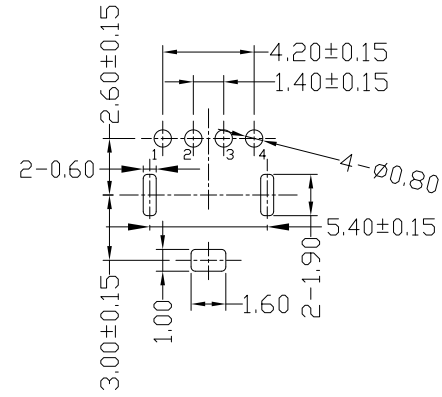
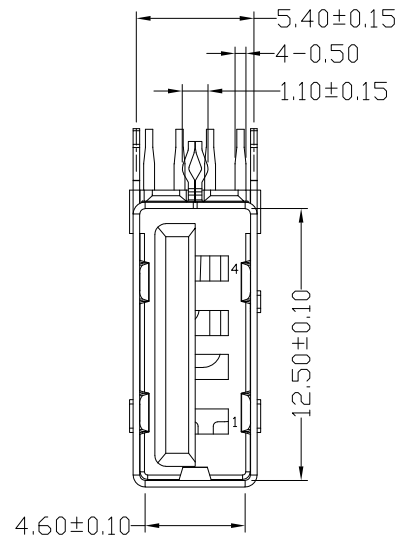
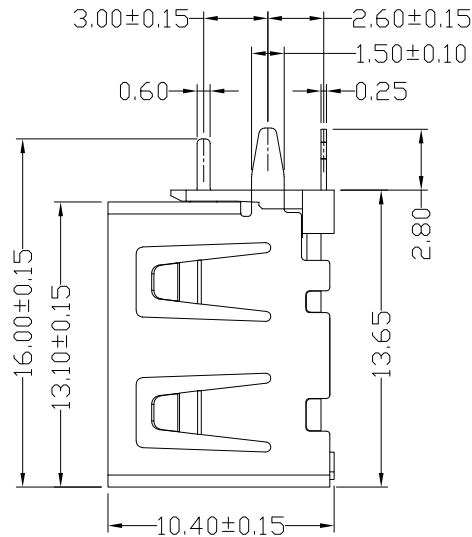
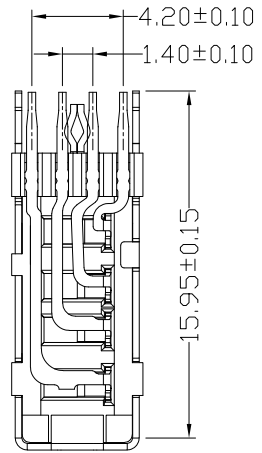
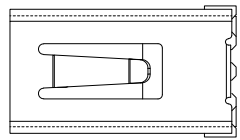
Bill of materials:

NO	PARTS	MATERIAL	QTY	FINISHING	X.	±0.25	X'.	±5'	UNITS	mm	雅安科技有限公司 ACCURATE INNOTECH INC.				
6					X.	±0.25	X'.	±5'	UNITS	mm	TITLE: USB AF 侧插短体10.4 外直脚 内弯型脚 有边 反向 PART NO.: USAF-04XN-1XCJ516 DR: Ricky 2026/04/18 DWG NO.: AII-CJ516 CHKD: Ricky 2026/04/18 SCALE: 1:1 SHEET: 1/1 REV.: B CUSTOMER DRAWING				
5					.X	±0.20	.X'	±2'	MAT'L						
4					.XX	±0.15	.XX'	±1'	SEE NOTE						
3	SHELL	COPPER ALLOY	1	PLATED NICKEL	.XXX	±0.10	.XXX'	±0.5'	FINISH						
2	TERMINAL	COPPER ALLOY	4	PLATED GOLD/TIN					SEE NOTE						
1	HOUSING	PBT+30%GF	1		THESE DRAWINGS AND SPECIFICATIONS ARE THE PROPERTY OF ACCURATE INNOTECH INC AND SHALL NOT BE REPRODUCED, COPIED OR USED IN ANY MANNER WITHOUT THE PRIOR WRITTEN CONSENT OF ACCURATE INNOTECH INC.						Q'TY				
											APPD:				

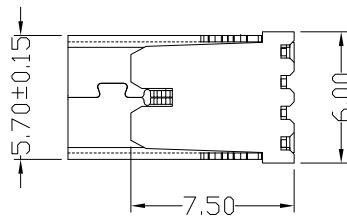


RoHS
Compliant
2002/95/EC
Process
Capable

REV.	ECN. NO.	APPD.



RECOMMENDED PCB LAYOUT
GENERAL TOLERANCES:±0.05



NOTES:

- ELECTRICAL:
 - VOLTAGE CURRENT RATING: 1.5AMP,30V DC;
 - INSULATION RESISTANCE: 1000MΩ MIN;
 - CONTACT RESISTANCE: 30mΩ MAX;
 - WITHSTANDING VOLTAGE: 500V AC FOR 1MINUTE;
 - OPERATING TEMPERATURE: -55°C TO +85°C.
- MECHANICAL:
 - MATING FORCE: 35N MAX.
 - UNMATING FORCE: 10N MIN.
- DIMENSIONS MARKED "▼"
TO BE CHECKED BY Q.C & IPQC.

USAF-041N-1*CJ517
1:Au 1U*
6:Au 30U*
W:WHITE
B:BLACK
1:PBT
2:PA6T
3:PA9T
4:LCP

Bill of materials:

NO	PARTS	MATERIAL	QTY	FINISHING	UNITS	mm	雅安科技有限公司 ACCURATE INNOTECH INC.						
6					X.	±0.25	X'	±5'	MAT'L	TITLE: USB AF 侧插短体10.4 外直脚 内弯型脚 无边 反向		PART NO.: USAF-04XN-1XCJ517	
5					.X	±0.20	.X'	±2'	SEE NOTE	DR: Ricky 2026/04/18		DWG NO.: AII-CJ517	
4					.XX	±0.15	.XX'	±1'	FINISH	CHKD: Ricky 2026/04/18		SCALE SHEET REV. CUSTOMER 1:1 1/1 B DRAWING	
3	SHELL	COPPER ALLOY	1	PLATED NICKEL	.XXX	±0.10	.XXX'	±0.5'	SEE NOTE	THESE DRAWINGS AND SPECIFICATIONS ARE THE PROPERTY OF ACCURATE INNOTECH INC AND SHALL NOT BE REPRODUCED, COPIED OR USED IN ANY MANNER WITHOUT THE PRIOR WRITTEN CONSENT OF ACCURATE INNOTECH INC.			
2	TERMINAL	COPPER ALLOY	4	PLATED GOLD/TIN									
1	HOUSING	PBT+30%GF	1										
NO	PARTS	MATERIAL	QTY	FINISHING									