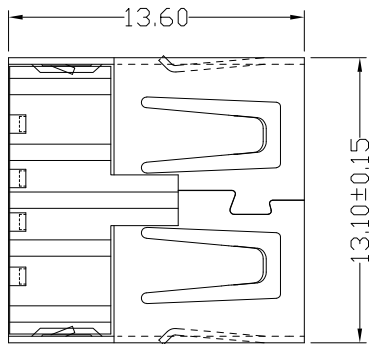
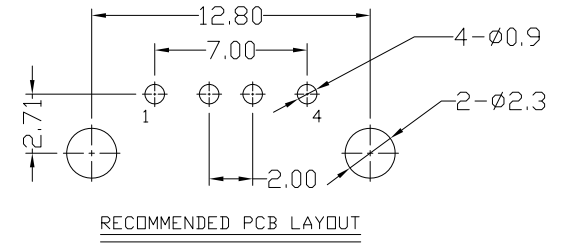
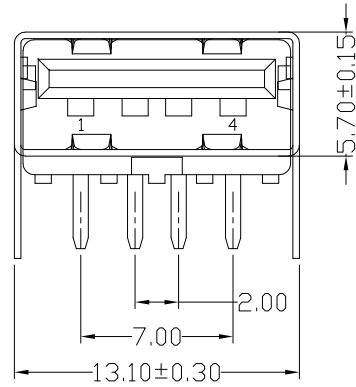
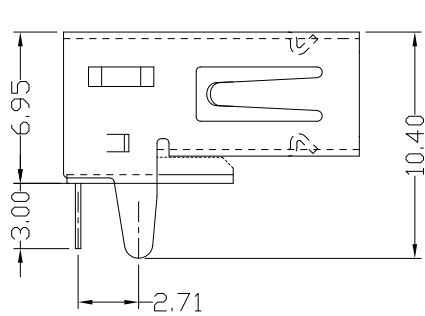




RoHS
Compliant
2002/95/EC

REV.	ECN.	NO.	APPD.



NOTES:

1.ELECTRICAL:

- 1)VOLTAGE CURRENT RATING: 1.5AMP,30V DC;
- 2)INSULATION RESISTANCE: 1000MΩ MIN;
- 3)CONTACT RESISTANCE: 30mΩ MAX;
- 4)WITHSTANDING VOLTAGE: 500V AC FOR 1MINUTE;
- 5)OPERATING TEMPERATURE: -55°C TO +85°C.

2.MECHANICAL:

- 1)MATING FORCE: 35N MAX.
- 2)UNMATING FORCE: 10N MIN.

3.DIMENSIONS MARKED "▼"

TO BE CHECKED BY Q.C & IPQC.

USAF-041N-1*RJ511

1:1Au 1U*
6:1Au 30U*

W:WHITE
B:BLACK

1:PBT
2:PA6T
3:PA9T
4:LCP

Bill of materials:

6					X.	±0.35	X'.	±5'	UNITS	mm	雅安科技有限公司 ACCURATE INNOTECH INC.						
5					.X	±0.30	.X'	±2'	MAT'L	SEE NOTE					TITLE:	PART NO.:	
4					.XX	±0.25	.XX'	±1'	FINISH	SEE NOTE					DR:	USAF-041N-1XRJ511	
3	SHELL	COPPER ALLOY	1	PLATED NICKEL	.XXX	±0.10	.XXX'	±0.5'	Q'TY	SEE NOTE					CHKD:	AII-RJ511	
2	TERMINAL	COPPER ALLOY	4	PLATED GOLD/TIN	<small>THESE DRAWINGS AND SPECIFICATIONS ARE THE PROPERTY OF ACCURATE INNOTECH INC AND SHALL NOT BE REPRODUCED, COPIED OR USED IN ANY MANNER WITHOUT THE PRIOR WRITTEN CONSENT OF ACCURATE INNOTECH INC.</small>					APPD:	SCALE		SHEET	REV.	CUSTOMER		
1	HOUSING	PBT+30%GF	1							1:1	1/1	B	DRAWING				
NO	PARTS	MATERIAL	QTY	FINISHING													