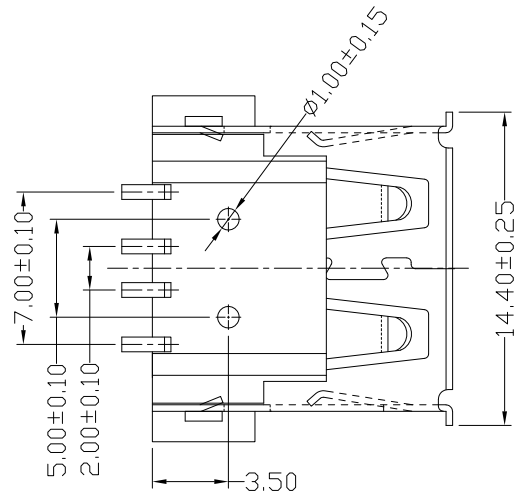
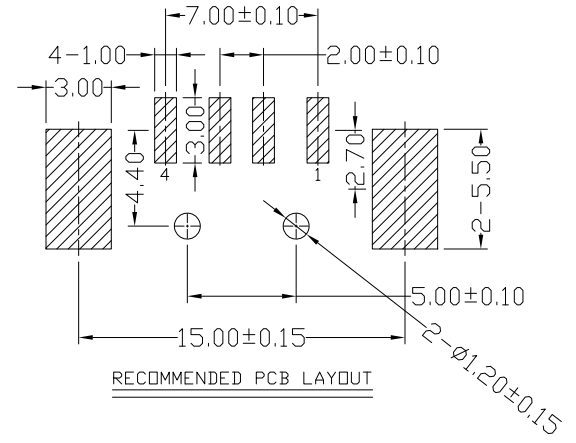
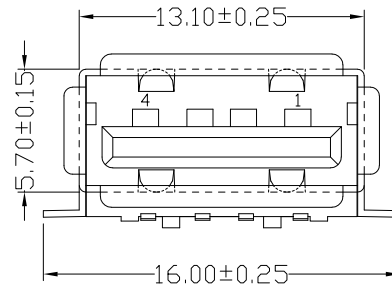
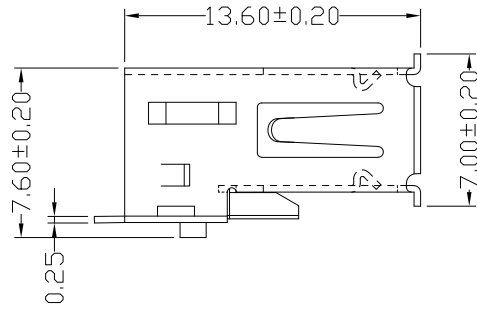




RoHS  
Compliant  
2002/95/EC

REV.	ECN.	NO.	APPD.



NOTES:

- ELECTRICAL:
  - VOLTAGE CURRENT RATING: 1.5AMP,30V DC;
  - INSULATION RESISTANCE: 1000MΩ MIN;
  - CONTACT RESISTANCE: 30mΩ MAX;
  - WITHSTANDING VOLTAGE: 500V AC FOR 1MINUTE;
  - OPERATING TEMPERATURE: -55°C TO +85°C.
- MECHANICAL:
  - MATING FORCE: 35N MAX.
  - UNMATING FORCE: 10N MIN.
- DIMENSIONS MARKED "▼"  
TO BE CHECKED BY Q.C & IPQC.

USAF-041N-4\*VJ552

1:Au 1U\*  
6:Au 30U\*

W:WHITE  
B:BLACK

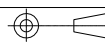
1:PBT  
2:PA6T  
3:PA9T  
4:LCP

Bill of materials:

6					X.	±0.25	X'.	±5'	UNITS	mm
5					.X	±0.20	.X'	±2'	MAT'L	
4					.XX	±0.15	.XX'	±1'	SEE NOTE	
3	SHELL	COPPER ALLOY	1	PLATED NICKEL	.XXX	±0.10	.XXX'	±0.5'	FINISH	
2	TERMINAL	COPPER ALLOY	4	PLATED GOLD/TIN					SEE NOTE	
1	HOUSING	LCP+30%GF	1	UL94V-0					Q'TY	
NO	PARTS	MATERIAL	QTY	FINISHING						

THESE DRAWINGS AND SPECIFICATIONS ARE THE PROPERTY OF ACCURATE INNOTECH INC AND SHALL NOT BE REPRODUCED, COPIED OR USED IN ANY MANNER WITHOUT THE PRIOR WRITTEN CONSENT OF ACCURATE INNOTECH INC.

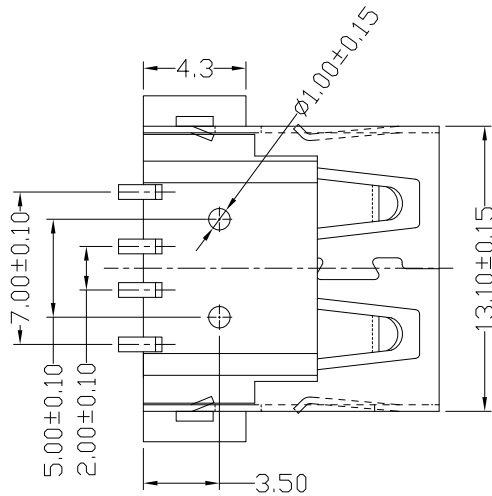
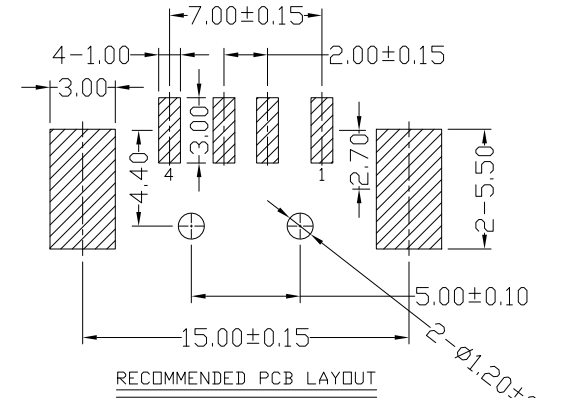
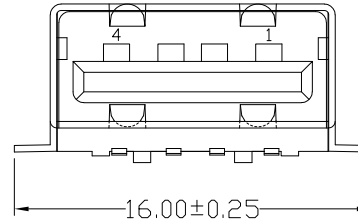
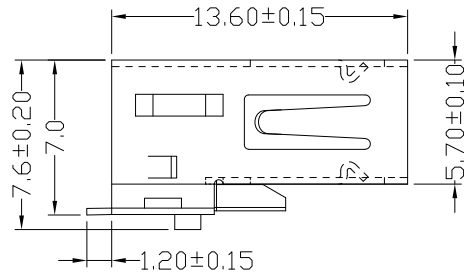
雅安科技有限公司 ACCURATE INNOTECH INC.			
TITLE: USB AF 方脚贴板 有边内弹 1.0柱 反向		PART NO.: USAF-04XN-4XVJ552	
DR: <i>Ricky</i> 2026/04/25		DWG NO.: AII-VJ552	
CHKD: <i>Ricky</i> 2026/04/25		SCALE	SHEET
APPD:		1:1	1/1
		REV.	CUSTOMER DRAWING
		B	





RoHS  
Compliant  
2002/95/EC

REV.	ECN.	NO.	APPD.



NOTES:

1.ELECTRICAL:

- 1)VOLTAGE CURRENT RATING: 1.5AMP,30V DC;
- 2)INSULATION RESISTANCE: 1000MΩ MIN;
- 3)CONTACT RESISTANCE: 30mΩ MAX;
- 4)WITHSTANDING VOLTAGE: 500V AC FOR 1MINUTE;
- 5)OPERATING TEMPERATURE: -55°C TO +85°C.

2.MECHANICAL:

- 1)MATING FORCE: 35N MAX.
- 2)UNMATING FORCE: 10N MIN.

3.DIMENSIONS MARKED "▼"

TO BE CHECKED BY Q.C & IPQC.

USAF-041N-4\*VJ554

- 1:Au 1U'
- 6:Au 30U'
- W:WHITE
- B:BLACK
- 1:PBT
- 2:PA6T
- 3:PA9T
- 4:LCP

Bill of materials:

NO	PARTS	MATERIAL	QTY	FINISHING	UNITS	mm	雅安科技有限公司 ACCURATE INNOTECH INC.						
6					X.	±0.25	X'.	±5'		TITLE: USB AF 方脚贴板 无边内弹 1.0柱 反向		PART NO.: USAF-04XN-4XVJ554	
5					.X	±0.20	.X'	±2'		DR: Ricky 2026/04/25		DWG NO.: AII-VJ554	
4					.XX	±0.15	.XX'	±1'		CHKD: Ricky 2026/04/25		SCALE SHEET REV. CUSTOMER 1:1 1/1 B DRAWING	
3	SHELL	COPPER ALLOY	1	PLATED NICKEL	.XXX	±0.10	.XXX'	±0.5'		APPD:			
2	TERMINAL	COPPER ALLOY	4	PLATED GOLD/TIN	THESE DRAWINGS AND SPECIFICATIONS ARE THE PROPERTY OF ACCURATE INNOTECH INC AND SHALL NOT BE REPRODUCED, COPIED OR USED IN ANY MANNER WITHOUT THE PRIOR WRITTEN CONSENT OF ACCURATE INNOTECH INC.				Q'TY				
1	HOUSING	LCP+30%GF	1	UL94V-0					APPD:				
									APPD:				