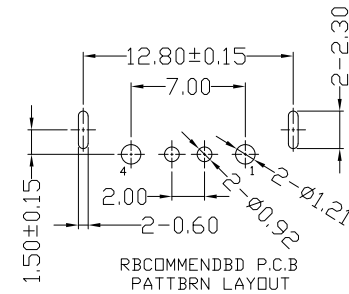
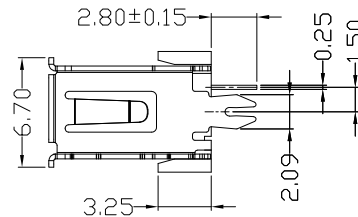
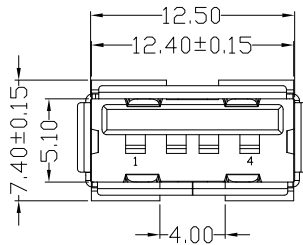
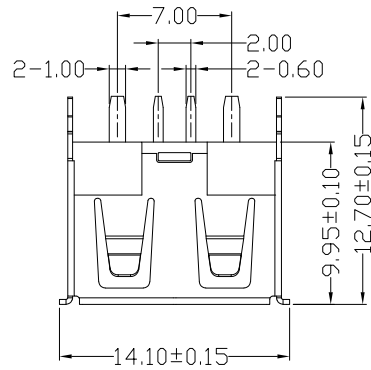




RoHS
Compliant
2002/95/EC

REV.	ECN.	NO.	APPD.



NOTES:

1.ELECTRICAL:

- 1)VOLTAGE CURRENT RATING: 3AMP,30V DC;
- 2)INSULATION RESISTANCE: 100MΩ MIN;
- 3)CONTACT RESISTANCE: 30mΩ MAX;
- 4)WITHSTANDING VOLTAGE: 100V AC FOR 1MINUTE;
- 5)OPERATING TEMPERATURE: -55°C TO +85°C.

2.MECHANICAL:

- 1)MATING FORCE: 35N MAX.
- 2)UNMATING FORCE: 10N MIN.

3.DIMENSIONS MARKED "▼"
TO BE CHECKED BY Q.C & IPQC.

4.PART NO.

USAF-042N-1*PJ514

- W:WHITE
- B:BLACK
- 1:PBT
- 2:PA6T
- 3:PA9T
- 4:LCP

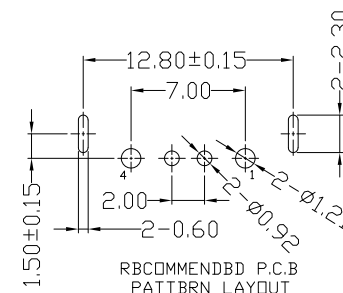
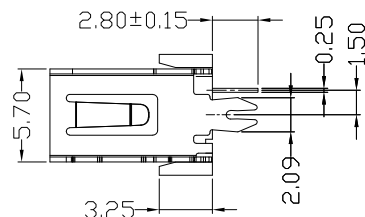
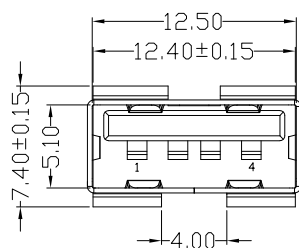
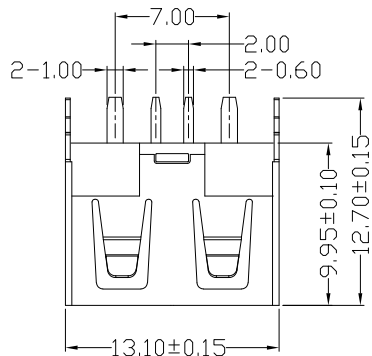
Bill of materials:

NO	PARTS	MATERIAL	QTY	FINISHING	TOLERANCES	ANGLES	UNITS	mm	雅安科技有限公司 ACCURATE INNOTECH INC.				
6					.X	±0.38	±5'	MAT'L	TITLE: USB AF 大电流 10.0 短体180度 鱼叉脚有边				
5					.XX	±0.25		SEE NOTE					PART NO.: USAF-04XN-1XPJ514
4					.XXX	±0.10		FINISH	DR: Ricky 2026/03/21				
3	SHELL	COPPER ALLOY	1	PLATED NICKEL	THESE DRAWINGS AND SPECIFICATIONS ARE THE PROPERTY OF ACCURATE INNOTECH INC AND SHALL NOT BE REPRODUCED, COPIED OR USED IN ANY MANNER WITHOUT THE PRIOR WRITTEN CONSENT OF ACCURATE INNOTECH INC.				SEE NOTE	DWG NO.: AII-PJ514			
2	TERMINAL	COPPER ALLOY	4	PLATED GOLD/TIN					Q'TY	CHKD: Ricky 2026/03/21			
1	HOUSING	PBT+30%GF	1		SCALE SHEET REV. CUSTOMER DRAWING				APPD:				
									1:1 1/1 B				



RoHS
Compliant
2002/95/EC

REV.	ECN.	NO.	APPD.



NOTES:

1.ELECTRICAL:

- 1)VOLTAGE CURRENT RATING: 3AMP,30V DC;
- 2)INSULATION RESISTANCE: 100MΩ MIN;
- 3)CONTACT RESISTANCE: 30mΩ MAX;
- 4)WITHSTANDING VOLTAGE: 100V AC FOR 1MINUTE;
- 5)OPERATING TEMPERATURE: -55°C TO +85°C.

2.MECHANICAL:

- 1)MATING FORCE: 35N MAX.
- 2)UNMATING FORCE: 10N MIN.

3.DIMENSIONS MARKED "▼"

TO BE CHECKED BY Q.C & IPQC.

4.PART NO.

USAF-042N-1*PJ515

- W:WHITE
- B:BLACK
- 1:PBT
- 2:PA6T
- 3:PA9T
- 4:LCP

2:Au 3U"

Bill of materials:

NO	PARTS	MATERIAL	QTY	FINISHING	TOLERANCES	ANGLES	UNITS	mm	雅安科技有限公司 ACCURATE INNOTECH INC.				
6					.X	±0.38	±5'	MAT'L	TITLE: USB AF 大电流 10.0 短体180度 鱼叉脚无边				
5					.XX	±0.25		SEE NOTE					PART NO.: USAF-04XN-1XPJ515
4					.XXX	±0.10		FINISH	DR: Ricky 2026/03/21				
3	SHELL	COPPER ALLOY	1	PLATED NICKEL	THESE DRAWINGS AND SPECIFICATIONS ARE THE PROPERTY OF ACCURATE INNOTECH INC AND SHALL NOT BE REPRODUCED, COPIED OR USED IN ANY MANNER WITHOUT THE PRIOR WRITTEN CONSENT OF ACCURATE INNOTECH INC.				SEE NOTE	DWG NO.: AII-PJ515			
2	TERMINAL	COPPER ALLOY	4	PLATED GOLD/TIN					Q'TY	CHKD: Ricky 2026/03/21			
1	HOUSING	PBT+30%GF	1		SCALE SHEET REV. CUSTOMER DRAWING				APPD:				
									1:1 1/1 B				