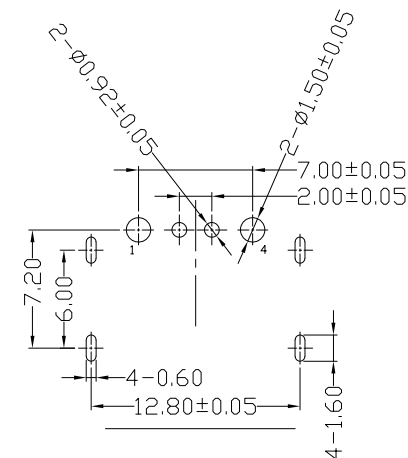
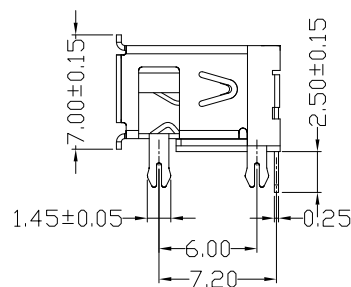
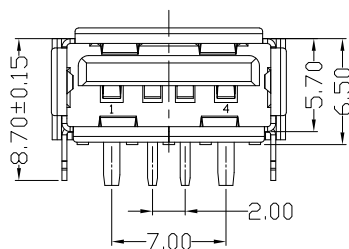
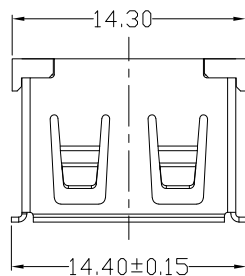


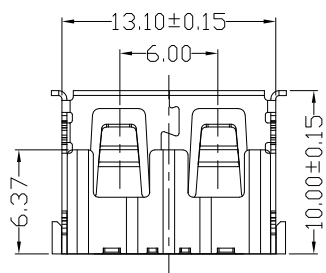


RoHS  
Compliant  
2002/95/EC

REV.	ECN.	NO.	APPD.



FRONT EDGE OF CONNECTOR  
PCB LAYOUT (T=1.60mm)



NOTES:

1.ELECTRICAL:

- 1) VOLTAGE CURRENT RATING: 5AMP, 30V DC;
- 2) INSULATION RESISTANCE: 100MΩ MIN;
- 3) CONTACT RESISTANCE: 30mΩ MAX;
- 4) WITHSTANDING VOLTAGE: 100V AC FOR 1MINUTE;
- 5) OPERATING TEMPERATURE: -55°C TO +85°C.

2.MECHANICAL:

- 1) MATING FORCE: 35N MAX.
- 2) UNMATING FORCE: 10N MIN.

3.DIMENSIONS MARKED "▼"  
TO BE CHECKED BY Q.C & IPQC.

4.PART NO.

USAF-042N-1\*RJ559

- W:WHITE
- B:BLACK
- 1:PBT
- 2:PA6T
- 3:PA9T
- 4:LCP

2Au 3U"

Bill of materials:

NO	PARTS	MATERIAL	QTY	FINISHING	TOLERANCES	ANGLES	UNITS	MAT'L	TITLE:	PART NO.:
6					.X ±0.38	±5'	mm		雅安科技有限公司	
5					.XX ±0.25			SEE NOTE	ACCURATE INNOTECH INC.	
4					.XXX ±0.10			SEE NOTE	USB AF 大电流 10.0 有边四脚鱼叉方弹 有耳正向插板	USAF-04XN-1XRJ559
3	SHELL	COPPER ALLOY	1	PLATED NICKEL				FINISH	DR: Ricky 2026/03/18	DWG NO.:
2	TERMINAL	COPPER ALLOY	4	PLATED GOLD/TIN				SEE NOTE	CHKD: Ricky 2026/03/18	AII-RJ559
1	HOUSING	PBT+30%GF	1					Q'TY	APPD:	SCALE SHEET REV. CUSTOMER DRAWING
										1:1 1/1 B

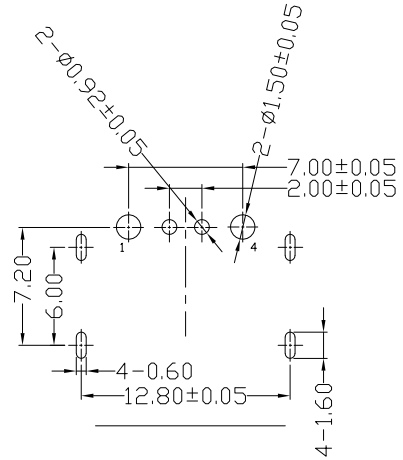
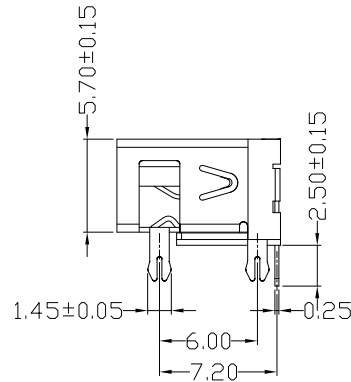
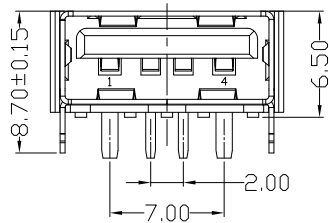
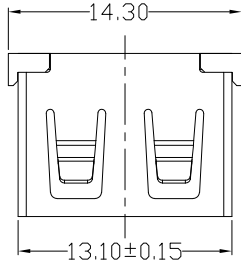
THESE DRAWINGS AND SPECIFICATIONS ARE THE PROPERTY OF ACCURATE INNOTECH INC AND SHALL NOT BE REPRODUCED, COPIED OR USED IN ANY MANNER WITHOUT THE PRIOR WRITTEN CONSENT OF ACCURATE INNOTECH INC.



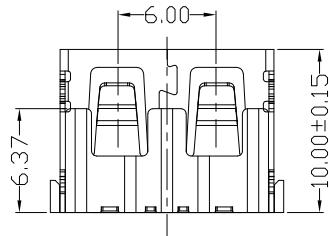


RoHS  
Compliant  
2002/95/EC

REV.	ECN.	NO.	APPD.



FRONT EDGE OF CONNECTOR  
PCB LAYOUT (T=1.60mm)



NOTES:

1.ELECTRICAL:

- 1)VOLTAGE CURRENT RATING: 5AMP,30V DC;
- 2)INSULATION RESISTANCE: 100MΩ MIN;
- 3)CONTACT RESISTANCE: 30mΩ MAX;
- 4)WITHSTANDING VOLTAGE: 100V AC FOR 1MINUTE;
- 5)OPERATING TEMPERATURE: -55°C TO +85°C.

2.MECHANICAL:

- 1)MATING FORCE: 35N MAX.
- 2)UNMATING FORCE: 10N MIN.

3.DIMENSIONS MARKED "▼"  
TO BE CHECKED BY Q.C & IPQC.

4.PART NO.

USAF-042N-1\*RJ562

W:WHITE  
B:BLACK

2:Au 3U\*

1:PBT  
2:PA6T  
3:PA9T  
4:LCP

Bill of materials:

NO	PARTS	MATERIAL	QTY	FINISHING	TOLERANCES	ANGLES	UNITS	MAT'L	FINISH	Q'TY	APPD:	SCALE	SHEET	REV.	CUSTOMER DRAWING
6					.X ±0.38	±5'	mm				雅安科技有限公司 ACCURATE INNOTECH INC.	1:1	1/1	B	DRAWING
5				.XX ±0.25			SEE NOTE								
4				.XXX ±0.10			SEE NOTE								
3	SHELL	COPPER ALLOY	1	PLATED NICKEL			FINISH								
2	TERMINAL	COPPER ALLOY	4	PLATED GOLD/TIN			SEE NOTE								
1	HOUSING	PBT+30%GF	1												
<p>THESE DRAWINGS AND SPECIFICATIONS ARE THE PROPERTY OF ACCURATE INNOTECH INC AND SHALL NOT BE REPRODUCED, COPIED OR USED IN ANY MANNER WITHOUT THE PRIOR WRITTEN CONSENT OF ACCURATE INNOTECH INC.</p>											<p>TITLE: USB AF 大电流 10.0 无边四脚鱼叉方弹 有耳正向插板</p>		<p>PART NO.: USAF-04XN-1XRJ562</p>		
											<p>DR: Ricky 2026/03/19</p>		<p>DWG NO.: AII-RJ562</p>		
											<p>CHKD: Ricky 2026/03/19</p>				
											<p>APPD:</p>				