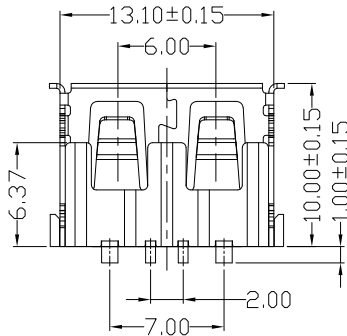
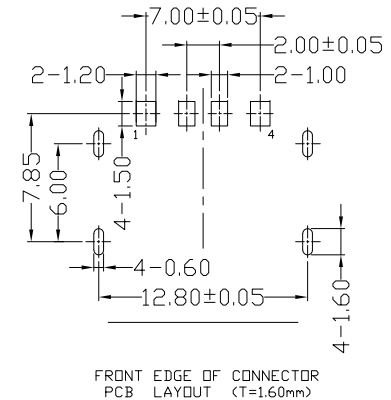
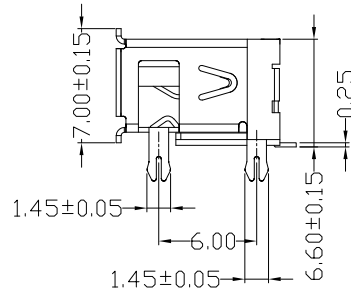
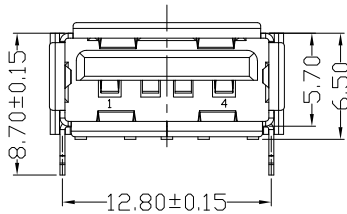
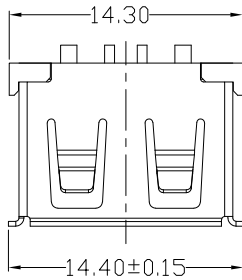




RoHS  
Compliant  
2002/95/EC

| REV. | ECN. | NO. | APPD. |
|------|------|-----|-------|
|      |      |     |       |
|      |      |     |       |



NOTES:

1.ELECTRICAL:

- 1)VOLTAGE CURRENT RATING: 5AMP,30V DC;
- 2)INSULATION RESISTANCE: 100MΩ MIN;
- 3)CONTACT RESISTANCE: 30mΩ MAX;
- 4)WITHSTANDING VOLTAGE: 100V AC FOR 1MINUTE;
- 5)OPERATING TEMPERATURE: -55°C TO +85°C.

2.MECHANICAL:

- 1)MATING FORCE: 35N MAX.
- 2)UNMATING FORCE: 10N MIN.

3.DIMENSIONS MARKED "▼"  
TO BE CHECKED BY Q.C & IPQC.

4.PART NO.

USAF-042N-4\*VJ536

- W:WHITE
- B:BLACK
- 1:PBT
- 2:PA6T
- 3:PA9T
- 4:LCP

Bill of materials:

| NO  | PARTS    | MATERIAL     | QTY | FINISHING       | TOLERANCES | ANGLES | UNITS | MAT'L | FINISH   | Q'TY | APPD: | SCALE | SHEET | REV. | CUSTOMER DRAWING |
|---|----------|--------------|-----|-----------------|------------|--------|-------|-------|----------|------|-------|-------|-------|------|------------------|
| 6   |          |              |     |                 | .X         | ±0.38  | ±5'   | mm    | SEE NOTE |      |       | 1:1   | 1/1   | B    |                  |
| 5   |          |              |     |                 | .XX        | ±0.25  |       |       | SEE NOTE |      |       |       |       |      |                  |
| 4   |          |              |     |                 | .XXX       | ±0.10  |       |       |          |      |       |       |       |      |                  |
| 3   | SHELL    | COPPER ALLOY | 1   | PLATED NICKEL   |            |        |       |       |          |      |       |       |       |      |                  |
| 2   | TERMINAL | COPPER ALLOY | 4   | PLATED GOLD/TIN |            |        |       |       |          |      |       |       |       |      |                  |
| 1   | HOUSING  | LCP+30%GF    | 1   | UL94V-0         |            |        |       |       |          |      |       |       |       |      |                  |
| THESE DRAWINGS AND SPECIFICATIONS ARE THE PROPERTY OF ACCURATE INNOTECH INC AND SHALL NOT BE REPRODUCED, COPIED OR USED IN ANY MANNER WITHOUT THE PRIOR WRITTEN CONSENT OF ACCURATE INNOTECH INC. |          |              |     |                 |            |        |       |       |          |      |       |       |       |      |                  |

雅安科技有限公司  
ACCURATE INNOTECH INC.

TITLE:  
USB AF 大电流 10.0 有边  
四脚鱼叉方弹 有耳正向贴板

PART NO.:  
USAF-042N-4XVJ536

DR: Ricky 2026/03/20

DWG NO.:  
AII-VJ536

CHKD: Ricky 2026/03/20

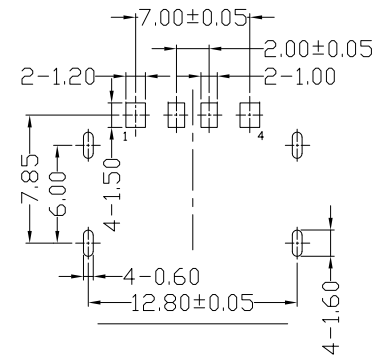
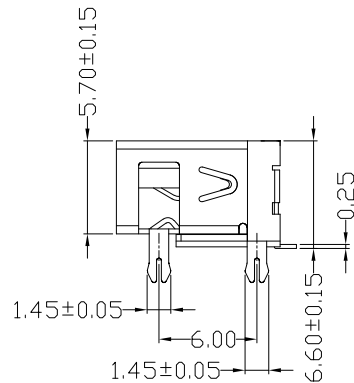
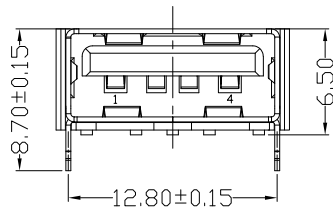
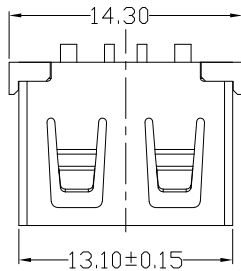
APPD:

SCALE SHEET REV. CUSTOMER DRAWING

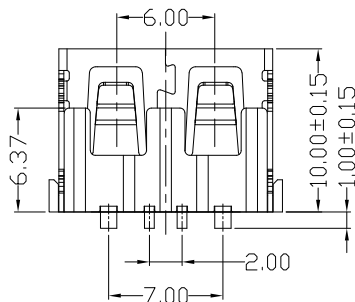


RoHS  
Compliant  
2002/95/EC

| REV. | ECN. | NO. | APPD. |
|------|------|-----|-------|
|      |      |     |       |
|      |      |     |       |



FRONT EDGE OF CONNECTOR  
PCB LAYOUT (T=1.60mm)



NOTES:

1.ELECTRICAL:

- 1)VOLTAGE CURRENT RATING: 5AMP,30V DC;
- 2)INSULATION RESISTANCE: 100MΩ MIN;
- 3)CONTACT RESISTANCE: 30mΩ MAX;
- 4)WITHSTANDING VOLTAGE: 100V AC FOR 1MINUTE;
- 5)OPERATING TEMPERATURE: -55°C TO +85°C.

2.MECHANICAL:

- 1)MATING FORCE: 35N MAX.
- 2)UNMATING FORCE: 10N MIN.

3.DIMENSIONS MARKED "▼"

TO BE CHECKED BY Q.C & IPQC.

4.PART NO.

USAF-042N-4\*VJ539

- W:WHITE
- B:BLACK
- 2Au 3U"
- 1-PBT
- 2-PA6T
- 3-PA9T
- 4-LCP

Bill of materials:

| NO | PARTS    | MATERIAL     | QTY | FINISHING       | TOLERANCES | ANGLES | UNITS    | 雅安科技有限公司<br>ACCURATE INNOTECH INC.  |  |  |  |
|----|----------|--------------|-----|-----------------|------------|--------|----------|---|--|--|--|
| 6  |          |              |     |                 |            |        | mm       | TITLE: USB AF 大电流 10.0 无边四脚鱼叉方弹 有耳正向贴板<br>PART NO.: USAF-042N-4XVJ539<br>DR: Ricky 2026/03/21<br>DWG NO.: AII-VJ539<br>CHKD: Ricky 2026/03/21<br>SCALE: 1:1 SHEET: 1/1 REV: B CUSTOMER DRAWING    |  |  |  |
| 5  |          |              |     |                 | .X ±0.38   | ±5'    | MAT'L    |   |  |  |  |
| 4  |          |              |     |                 | .XX ±0.25  |        | SEE NOTE |   |  |  |  |
| 3  | SHELL    | COPPER ALLOY | 1   | PLATED NICKEL   | .XXX ±0.10 |        | FINISH   |   |  |  |  |
| 2  | TERMINAL | COPPER ALLOY | 4   | PLATED GOLD/TIN |            |        | SEE NOTE | THESE DRAWINGS AND SPECIFICATIONS ARE THE PROPERTY OF ACCURATE INNOTECH INC AND SHALL NOT BE REPRODUCED, COPIED OR USED IN ANY MANNER WITHOUT THE PRIOR WRITTEN CONSENT OF ACCURATE INNOTECH INC. |  |  |  |
| 1  | HOUSING  | LCP+30%GF    | 1   | UL94V-0         |            |        | Q'TY     | APPD:   |  |  |  |
|    |          |              |     |                 |            |        |          |   |  |  |  |