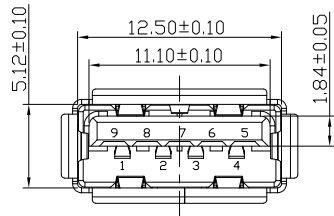
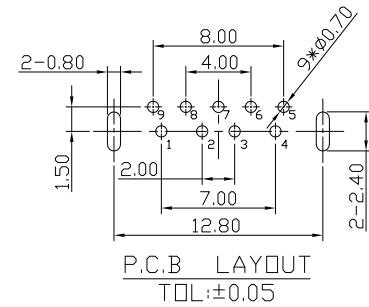
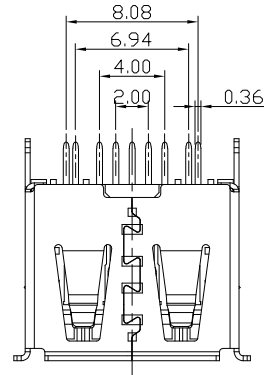
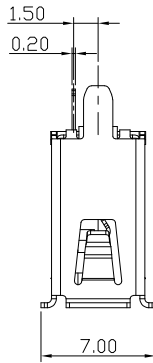
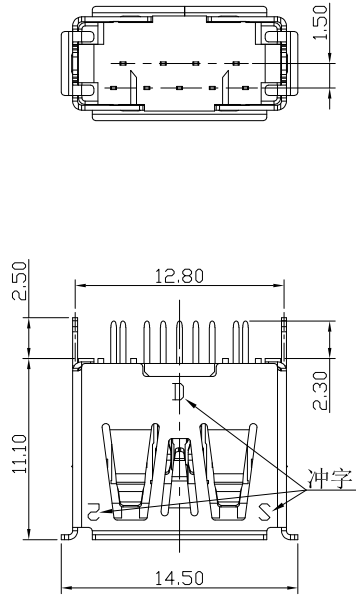




RoHS  
Compliant  
2002/95/EC

Halogen Free

REV.	ECN.	NO.	APPD.



NOTES:

1.ELECTRICAL:

- 1)CONTACT CURRENT RATING:1.5A.
- 2)INSULATION RESISTANCE:100MΩ MIN;
- 3)CONTACT RESISTANCE:30mΩ MAX;
- 4)WITHSTANDING VOLTAGE:100V R.M.S.
- 5)OPERATING TEMPERATURE:-20°C TO +60°C.

2.MECHANICAL:

- 1)MATING FORCE:35N MAX.
- 2)UNMATING FORCE:10N MIN. 8N MIN. AFTER TEST
- 3)DURABILITY:5,000 CYCLES

3.DIMENSIONS MARKED "▼"

TO BE CHECKED BY Q.C & IPQC.

USAF-091N-3BLPC14

1:Au 1U"  
5:Au 15U"  
6:Au 30U"

W:WHITE  
B:BLACK  
BL:BLUE

1:PBT  
2:PA6T  
3:PA9T  
4:LCP

Bill of materials:

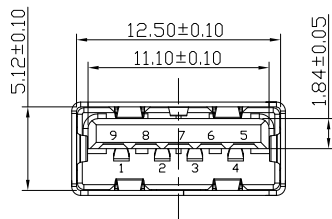
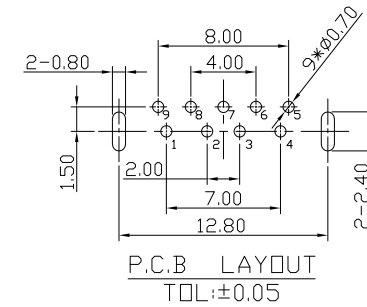
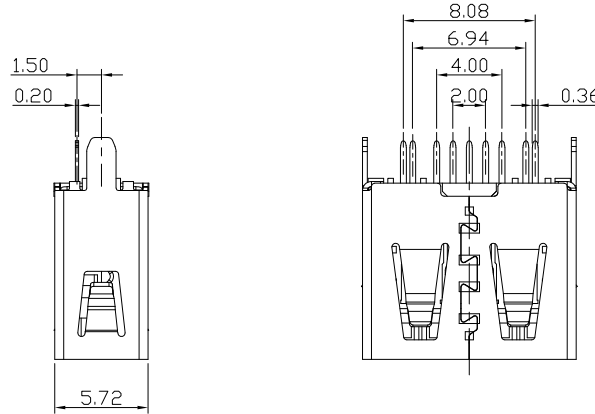
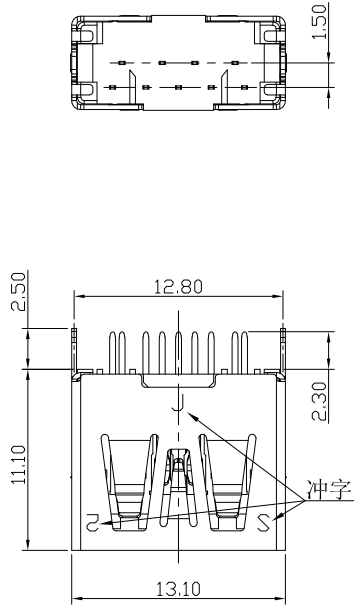
NO	PARTS	MATERIAL	QTY	FINISHING	UNITS	mm	雅安科技有限公司 ACCURATE INNOTECH INC.						
6					X.	±0.50	X'.	±3'	MAT'L	TITLE: USB 3.0 AF 180° DIP 卷边 直脚2.5 H=11.1 锡脚长2.3		PART NO.:	
5					.X	±0.30	.X'	±2'		SEE NOTE	USAF-09XN-3BLPC14		
4					.XX	±0.20	.XX'	±1'	FINISH	DR: Ricky 2026/04/07		DWG NO.:	
3	SHELL	STAINLESS STEEL	1	PLATED NICKEL	.XXX	±0.10	.XXX'	±0.5'		SEE NOTE	CHKD: Ricky 2026/04/07		AII-PC14
2	CONTACT	COPPER ALLOY	9	PLATED GOLD/TIN	THESE DRAWINGS AND SPECIFICATIONS ARE THE PROPERTY OF ACCURATE INNOTECH INC AND SHALL NOT BE REPRODUCED, COPIED OR USED IN ANY MANNER WITHOUT THE PRIOR WRITTEN CONSENT OF ACCURATE INNOTECH INC.		Q'TY		APPD:	SCALE	SHEET	REV.	CUSTOMER DRAWING
1	INSULATOR	PA9T	1	UL94V-0						1:1	1/1	B	



RoHS  
Compliant  
2002/95/EC

Halogen Free

REV.	ECN.	NO.	APPD.



NOTES:

1.ELECTRICAL:

- CONTACT CURRENT RATING:1.5A.
- INSULATION RESISTANCE:100MΩ MIN;
- CONTACT RESISTANCE:30mΩ MAX;
- WITHSTANDING VOLTAGE:100V R.M.S.
- OPERATING TEMPERATURE:-20°C TO +60°C.

2.MECHANICAL:

- MATING FORCE:35N MAX.
- UNMATING FORCE:10N MIN. 8N MIN. AFTER TEST
- DURABILITY:5,000 CYCLES

3.DIMENSIONS MARKED "▼"

TO BE CHECKED BY Q.C & IPQC.

USAF-091N-3BPC15

1:Au 1U"  
5:Au 15U"  
6:Au 30U"

W:WHITE  
B:BLACK  
BL:BLUE

1:PBT  
2:PA6T  
3:PA9T  
4:LCP

Bill of materials:

NO	PARTS	MATERIAL	QTY	FINISHING	UNITS	mm	雅安科技有限公司 ACCURATE INNOTECH INC.					
6					X.	±0.50	X'.	±3'	MAT'L	TITLE: USB 3.0 AF 180° DIP 无卷边 直脚2.5 H=11.1 锡脚长2.3	PART NO.: USAF-09XN-3BPC15	
5					.X	±0.30	.X'	±2'				
4					.XX	±0.20	.XX'	±1'	SEE NOTE	DR: <i>Ricky</i> 2026/04/07	DWG NO.: AII-PC15	
3	SHELL	STAINLESS STEEL	1	PLATED NICKEL	.XXX	±0.10	.XXX'	±0.5'	FINISH	CHKD: <i>Ricky</i> 2026/04/07		
2	CONTACT	COPPER ALLOY	9	PLATED GOLD/TIN	THESE DRAWINGS AND SPECIFICATIONS ARE THE PROPERTY OF ACCURATE INNOTECH INC AND SHALL NOT BE REPRODUCED, COPIED OR USED IN ANY MANNER WITHOUT THE PRIOR WRITTEN CONSENT OF ACCURATE INNOTECH INC.		Q'TY	APPD:	SCALE	SHEET	REV.	CUSTOMER DRAWING
1	INSULATOR	PA9T	1	UL94V-0					1:1	1/1	B	