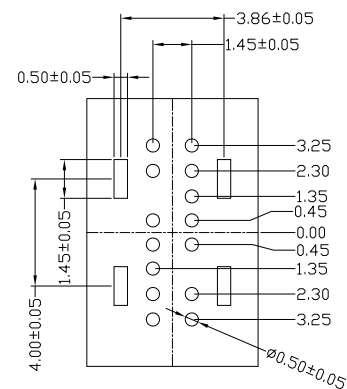
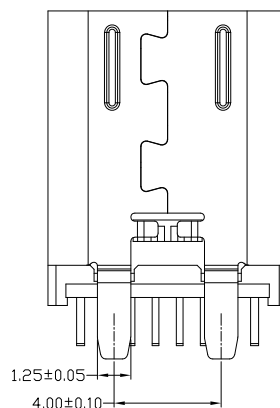
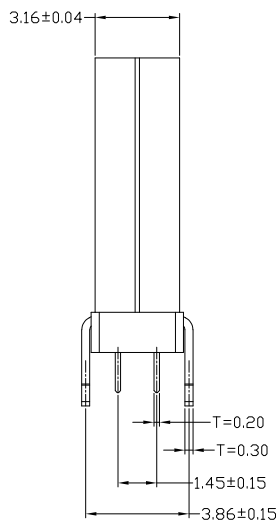
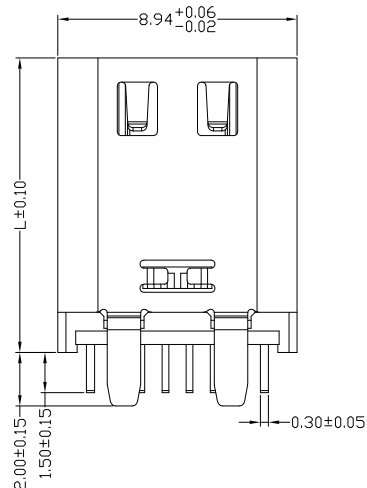
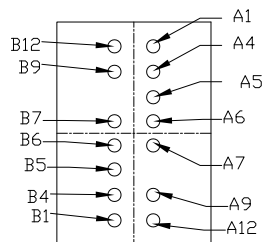
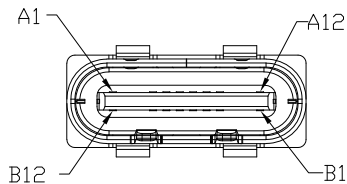


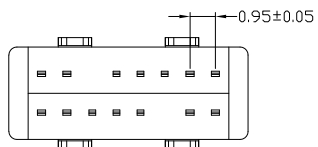


**RoHS Compliant**  
2002/95/EC

REV.	ECN. NO.	APPD.



RECOMMENDED P.C.B. LAYOUT (T:1.00mm)  
TOLERANCE UNSPECIFIED ±0.05mm



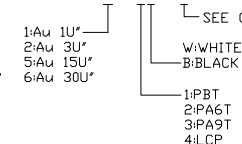
USCF-142N-4BPG505	10.0
USCF-142N-4BPG506	10.5
USCF-142N-4BPG507	11.0
USCF-142N-4BPG508	11.5
P/N:	L:mm

A1	GND	B12	GND
A4	VBUS	B9	VBUS
A5	CC1		
A6	DP1	B7	DN2
A7	DN1	B6	DP2
		B5	CC2
A9	VBUS	B4	VBUS
A12	GND	B1	GND
PIN	SIGNAL NAME	PIN	SIGNAL NAME

**NOTES:**

- ELECTRICAL:**
  - 1) VOLTAGE CURRENT RATING: 3A, 30V DC.
  - 2) INSULATION RESISTANCE: 150V DC/100MΩ MIN.
  - 3) CONTACT RESISTANCE: 40mΩ MAX.
  - 4) WITHSTANDING VOLTAGE: 150V AC / 1mA MAX.
  - 5) OPERATING TEMPERATURE: -55°C TO +85°C.
- Mechanical:**
  - 1) Mating Force: 5N~20N MAX.
  - 2) Unmating Force: 8N~20N(INITIAL), 6N~20N(AFTER 10,000 CYCLES) MIN.
  - 3) Durability: 10,000 cycles
- DIMENSIONS MARKED '▼'**  
TO BE CHECKED BY Q.C & IPQC.

USCF-142N-4BPGX



**Bill of materials:**

NO	PARTS	MATERIAL	QTY	FINISHING					
5					X.	±0.15	X.*	±1°	UNITS mm
4	HOOK	STAINLESS STEEL	1		.X	±0.10	.X.*	±0.5°	MAT'L
3	SHELL	STAINLESS STEEL	1	PLATED NICKEL	.XX	±0.05			SEE NOTE
2	CONTACT	COPPER ALLOY	14	PLATED GOLD					FINISH
1	HOUSING	LCP+30%GF	1	UL94V-0					SEE NOTE
					THESE DRAWINGS AND SPECIFICATIONS ARE THE PROPERTY OF ACCURATE INNOTECH AND SHALL NOT BE REPRODUCED, COPIED OR USED IN ANY MANNER WITHOUT THE PRIOR WRITTEN CONSENT OF ACCURATE INNOTECH INC.				Q'TY

<b>雅安科技有限公司 ACCURATE INNOTECH INC.</b>			
TITLE: USB TYPE CF 14P 立式插板 带弹		PART NO.: USCF-14XN-4BPG505~8	
DR: <i>Ricky</i> 2022/04/18		DWG NO.: AII-PG505~8	
CHKD: <i>Ricky</i> 2022/04/18		SCALE: 1:1	SHEET: 1/1
APPD:		REV. B	CUSTOMER DRAWING