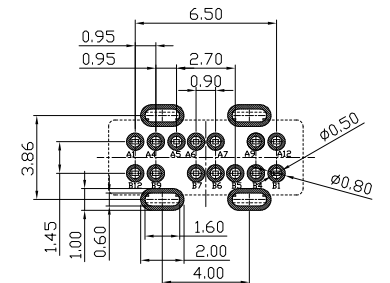
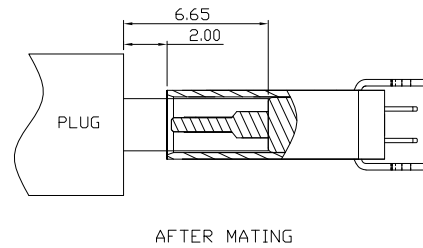
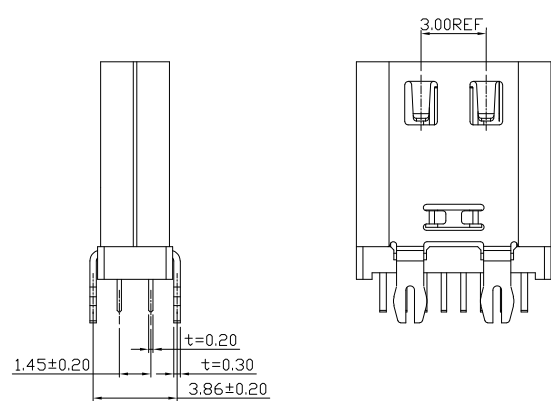
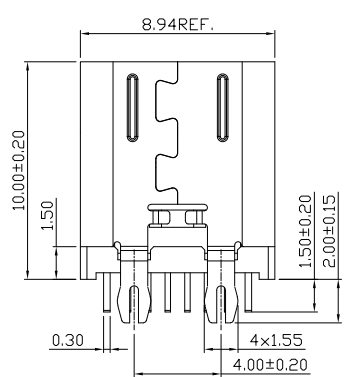
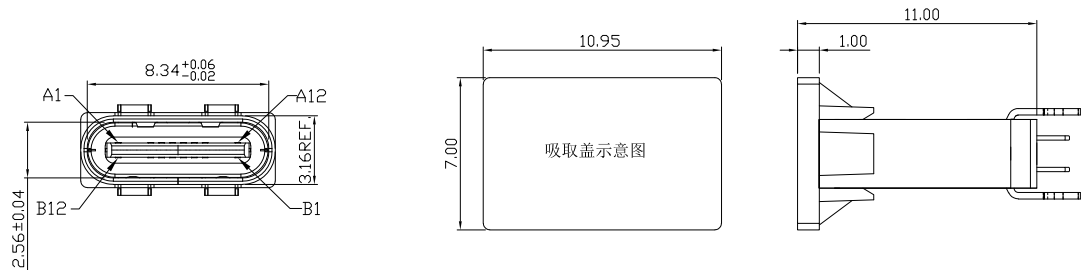


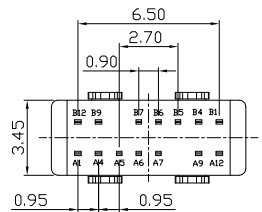


RoHS  
Compliant  
2002/95/EC

REV.	ECN. NO.	APPD.



RECOMMENDED P.C.B. LAYOUT (T:1.00mm)  
TOLERANCE UNSPECIFIED ±0.05mm



PIN	SIGNAL NAME	PIN	SIGNAL NAME
A1	GND	B12	GND
A4	VBUS	B9	VBUS
A5	CC1	B7	D-
A6	D+	B6	D+
A7	D-	B5	CC2
A9	VBUS	B4	VBUS
A12	GND	B1	GND

NOTES:

1.ELECTRICAL:

- CURRENT RATING:5A;
- INSULATION RESISTANCE:100MΩ MIN;
- CONTACT RESISTANCE:40mΩ MAX;
- WITHSTANDING VOLTAGE:100V AC;
- OPERATING TEMPERATURE:-40°C TO +85°C.

2.MECHANICAL:

- MATING FORCE:5~20N MAX.
- UNMATING FORCE:8~20N MIN.
- DURABILITY:10,000 CYCLES; 6~20N AFTER DURABILITY TEST;

3.DIMENSIONS MARKED "▼"

TO BE CHECKED BY Q.C & IPQC.

USCF-142N-4BPG518

- 1:Au 1U"
- 2:Au 3U"
- 5:Au 15U"
- 6:Au 30U"
- W:WHITE
- B:BLACK
- 1:PBT
- 2:PA6T
- 3:PA9T
- 4:LCP

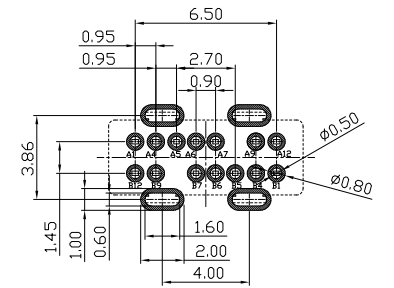
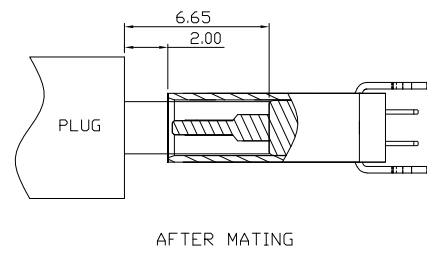
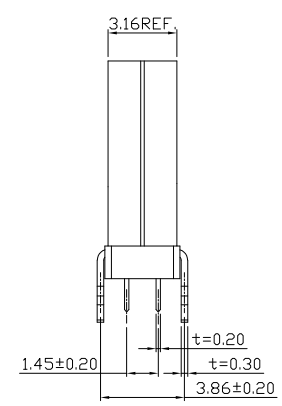
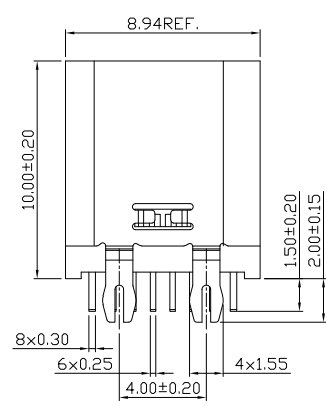
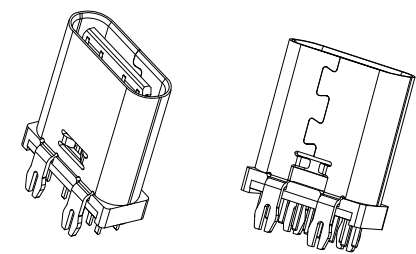
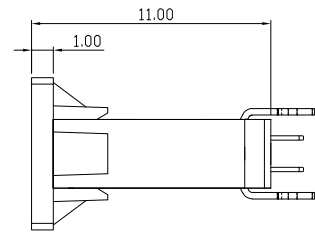
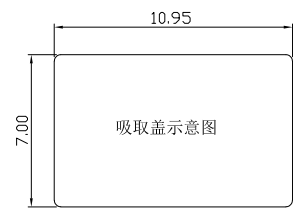
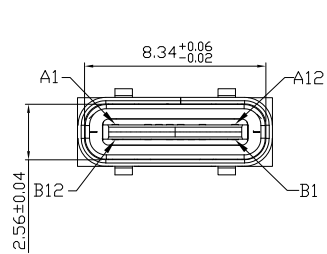
Bill of materials:

NO	PARTS	MATERIAL	QTY	FINISHING	X.	±0.25	X'	±2'	UNITS	mm	雅安科技有限公司 ACCURATE INNOTECH INC.			
6					X.	±0.25	X'	±2'	MAT'L		TITLE:	USB TYPE CF 14P 立插鱼叉脚 上弹下凸筋 针长1.50 H=10.0		
5					.X	±0.20			SEE NOTE		DR:	Ricky 2026/04/10		
4	MID PLATE	STAINLESS STEEL	1		.XX	±0.15			FINISH		CHKD:	Ricky 2026/04/10		
3	SHELL	STAINLESS STEEL	1	PLATED NICKEL	.XXX	±0.10			Q'TY		APPD:	Ricky 2026/04/10		
2	TERMINAL	COPPER ALLOY	14	PLATED GOLD/NICKEL	THESE DRAWINGS AND SPECIFICATIONS ARE THE PROPERTY OF ACCURATE INNOTECH INC AND SHALL NOT BE REPRODUCED, COPIED OR USED IN ANY MANNER WITHOUT THE PRIOR WRITTEN CONSENT OF ACCURATE INNOTECH INC.						SCALE	SHEET	REV.	ENGINEERING DRAWING
1	HOUSING & MOLDING	LCP	1	UL94V-0							1:1	1/1	B	

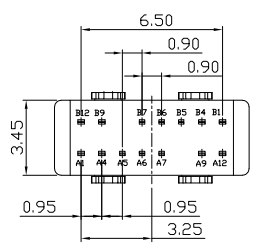


RoHS  
Compliant  
2002/95/EC

REV.	ECN. NO.	APPD.



RECOMMENDED P.C.B. LAYOUT (T:1.00mm)  
TOLERANCE UNSPECIFIED ±0.05mm



PIN	SIGNAL NAME	PIN	SIGNAL NAME
A1	GND	B12	GND
A4	VBUS	B9	VBUS
A5	CC1	B7	D-
A6	D+	B6	D+
A7	D-	B5	CC2
A9	VBUS	B4	VBUS
A12	GND	B1	GND

NOTES:

- ELECTRICAL:
  - CURRENT RATING:5A;
  - INSULATION RESISTANCE:100MΩ MIN;
  - CONTACT RESISTANCE:40mΩ MAX;
  - WITHSTANDING VOLTAGE:100V AC;
  - OPERATING TEMPERATURE:-40°C TO +85°C.
- MECHANICAL:
  - MATING FORCE:5~20N MAX.
  - UNMATING FORCE:8~20N MIN.
  - DURABILITY:10,000 CYCLES; 6~20N AFTER DURABILITY TEST;
- DIMENSIONS MARKED "▼"  
TO BE CHECKED BY Q.C & IPQC.

USCF-142N-4BPG519  
W:WHITE  
B:BLACK  
1:PA6T  
2:PA6T  
3:PA9T  
4:LCP

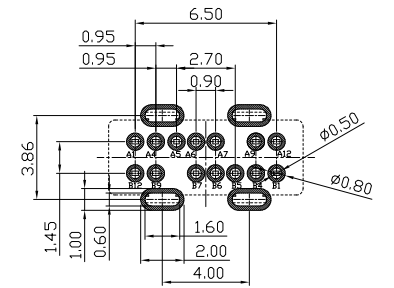
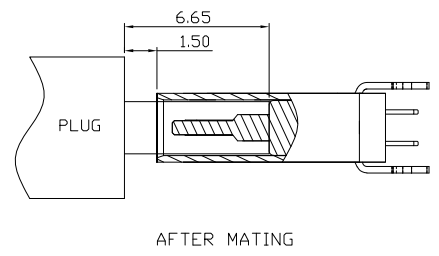
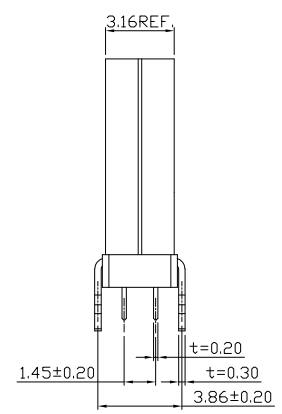
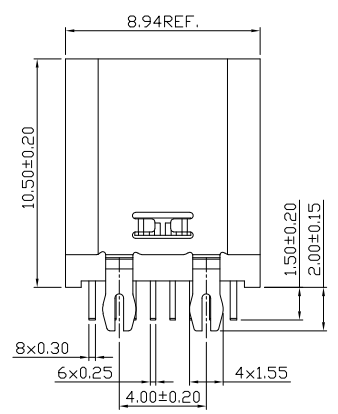
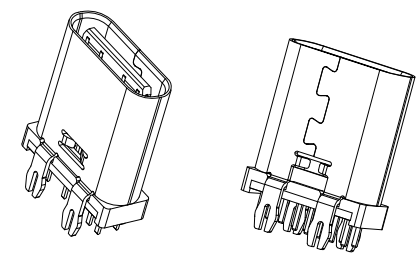
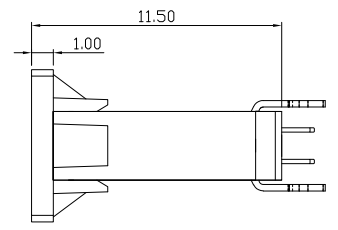
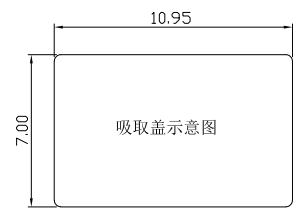
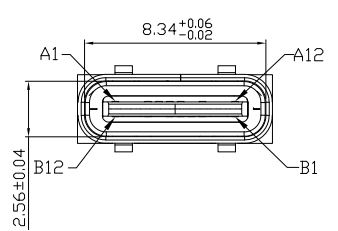
Bill of materials:

NO	PARTS	MATERIAL	QTY	FINISHING	X.	±0.25	X'	±2'	UNITS	mm	雅安科技有限公司 ACCURATE INNOTECH INC.			
6					X.	±0.25	X'	±2'	UNITS	mm	TITLE: USB TYPE CF 14P 立插鱼叉脚 针长1.50 H=10.0 PART NO.: USCF-14XN-4BPG519 DR: Ricky 2026/04/10 DWG NO.: AII-PG519 SCALE: 1:1 SHEET: 1/1 REV: B CUSTOMER DRAWING			
5					.X	±0.20			MAT'L					
4	MID PLATE	STAINLESS STEEL	1		.XX	±0.15			SEE NOTE					
3	SHELL	STAINLESS STEEL	1	PLATED NICKEL	.XXX	±0.10			FINISH					
2	TERMINAL	COPPER ALLOY	14	PLATED GOLD/NICKEL					SEE NOTE					
1	HOUSING & MOLDING	LCP	1	UL94V-0					Q'TY					
THESE DRAWINGS AND SPECIFICATIONS ARE THE PROPERTY OF ACCURATE INNOTECH INC AND SHALL NOT BE REPRODUCED, COPIED OR USED IN ANY MANNER WITHOUT THE PRIOR WRITTEN CONSENT OF ACCURATE INNOTECH INC.											APPD:	Ricky	2026/04/10	

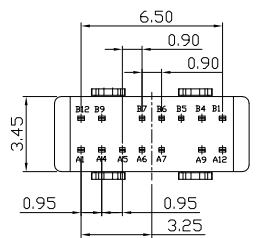


RoHS  
Compliant  
2002/95/EC

REV.	ECN. NO.	APPD.



RECOMMENDED P.C.B. LAYOUT (T:1.00mm)  
TOLERANCE UNSPECIFIED ±0.05mm



PIN	SIGNAL NAME	PIN	SIGNAL NAME
A1	GND	B12	GND
A4	VBUS	B9	VBUS
A5	CC1	B7	D-
A6	D+	B6	D+
A7	D-	B5	CC2
A9	VBUS	B4	VBUS
A12	GND	B1	GND

NOTES:

1.ELECTRICAL:

- 1)CURRENT RATING:5A;
- 2)INSULATION RESISTANCE:100MΩ MIN;
- 3)CONTACT RESISTANCE:40mΩ MAX;
- 4)WITHSTANDING VOLTAGE:100V AC;
- 5)OPERATING TEMPERATURE:-40°C TO +85°C.

2.MECHANICAL:

- 1)MATING FORCE:5~20N MAX.
- 2)UNMATING FORCE:8~20N MIN.
- 3)DURABILITY:10,000 CYCLES; 6~20N AFTER DURABILITY TEST;

3.DIMENSIONS MARKED "▼"  
TO BE CHECKED BY Q.C & IPQC.

USCF-142N-4BPG520

- 1:Au 1U"
- 2:Au 3U"
- 5:Au 15U"
- 6:Au 30U"
- W:WHITE
- B:BLACK
- 1:PBT
- 2:PA6T
- 3:PA9T
- 4:LCP

Bill of materials:

NO	PARTS	MATERIAL	QTY	FINISHING	X.	±0.25	X'	±2'	UNITS	mm	雅安科技有限公司 ACCURATE INNOTECH INC.			
6					X.	±0.25	X'	±2'	UNITS	mm	TITLE: USB TYPE CF 14P 立插鱼叉脚 针长1.50 H=10.5 PART NO.: USCF-14XN-4BPG520 DR: Ricky 2026/04/10 DWG NO.: AII-PG520 SCALE: 1:1 SHEET: 1/1 REV: B CUSTOMER DRAWING			
5					.X	±0.20			MAT'L					
4	MID PLATE	STAINLESS STEEL	1		.XX	±0.15			SEE NOTE					
3	SHELL	STAINLESS STEEL	1	PLATED NICKEL	.XXX	±0.10			FINISH					
2	TERMINAL	COPPER ALLOY	14	PLATED GOLD/NICKEL					SEE NOTE					
1	HOUSING & MOLDING	LCP	1	UL94V-0					Q'TY					
					THESE DRAWINGS AND SPECIFICATIONS ARE THE PROPERTY OF ACCURATE INNOTECH INC AND SHALL NOT BE REPRODUCED, COPIED OR USED IN ANY MANNER WITHOUT THE PRIOR WRITTEN CONSENT OF ACCURATE INNOTECH INC.									