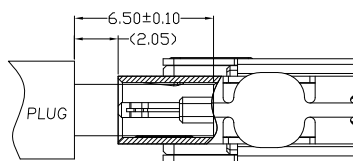
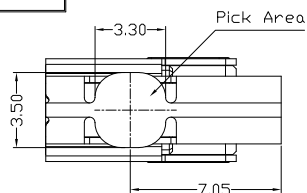


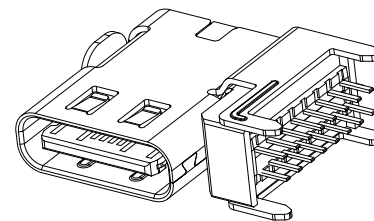


**RoHS Compliant**  
2002/95/EC

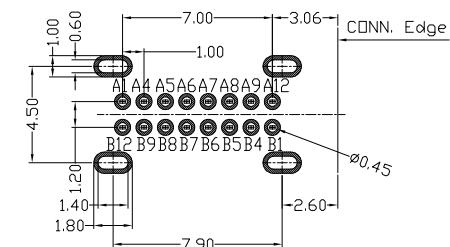
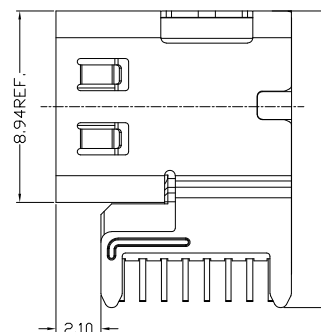
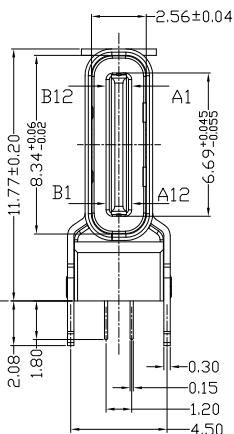
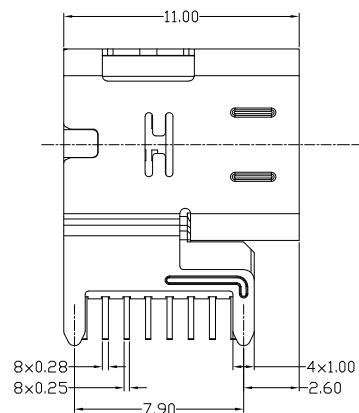
REV.	ECN.	NO.	APPD.



AFTER MATING



3D VIEW



RECOMMENDED P.C.B. LAYOUT (TOP View)  
TOLERANCE UNSPECIFIED ±0.05mm

A1	GND	B12	GND
A2		B11	
A3		B10	
A4	VBUS	B9	VBUS
A5	CC1	B8	SBU2
A6	D+	B7	D-
A7	D-	B6	D+
A8	SBU1	B5	CC2
A9	VBUS	B4	VBUS
A10		B3	
A11		B2	
A12	GND	B1	GND
PIN	SIGNAL NAME	PIN	SIGNAL NAME

NOTES:

1.ELECTRICAL:

- CURRENT RATING: 5A;
- INSULATION RESISTANCE: 100MΩ MIN;
- CONTACT RESISTANCE: 40mΩ MAX;
- WITHSTANDING VOLTAGE: 100V AC;
- OPERATING TEMPERATURE: -40°C TO +85°C.

2.MECHANICAL:

- MATING FORCE: 5N~20N MAX.
- UNMATING FORCE: 8N~20N<INITIAL> 6N<AFTER DURABILITY TEST> MIN.
- DURABILITY: 10,000 CYCLES

3.DIMENSIONS MARKED "▼"  
TO BE CHECKED BY Q.C & IPQC.

USCF-162N-4BCG53

- 1:1U"  
2:Au 3U"  
5:Au 15U"  
6:Au 30U"
- W:WHITE  
B:BLACK
- 1:PBT  
2:PA6T  
3:PA9T  
4:LCP

Bill of materials:

4	MID PLATE	STAINLESS STEEL	1		X.	±0.25	X.*	±2°	UNITS	mm	<b>雅安科技有限公司</b> <b>ACCURATE INNOTECH INC.</b>	PART NO.: <b>USCF-16XN-4BCG53</b>		
3	SHELL	STAINLESS STEEL	1	PLATED NICKEL	.X	±0.20			MAT'L				TITLE: USB TYPE CF 16P 侧插短体L=11.0 外壳 四脚直插 上弹下凸 CH=7.30 针长1.80	
2	TERMINAL	COPPER ALLOY	16	PLATED GOLD/TIN	.XX	±0.15			SEE NOTE					DR: <i>Ricky</i> 2026/06/06
1	HOUSING & MOLDING	LCP	1	UL94V-0	.XXX	±0.10			SEE NOTE					
NO	PARTS	MATERIAL	QTY	FINISHING					Q'TY		CHKD: <i>Ricky</i> 2026/06/06	SCALE SHEET REV. CUSTOMER 1:1 1/1 B DRAWING		

THESE DRAWINGS AND SPECIFICATIONS ARE THE PROPERTY OF ACCURATE INNOTECH AND SHALL NOT BE REPRODUCED, COPIED OR USED IN ANY MANNER WITHOUT THE PRIOR WRITTEN CONSENT OF ACCURATE INNOTECH INC.

