



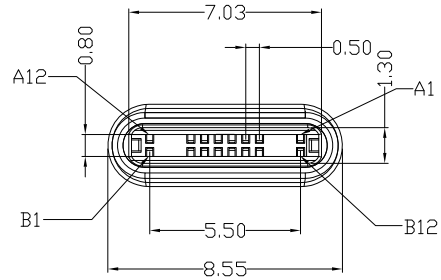
RoHS  
Compliant  
2002/95/EC

REV.	ECN.	NO.	APPD.

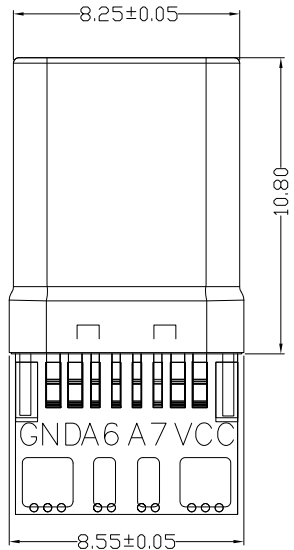
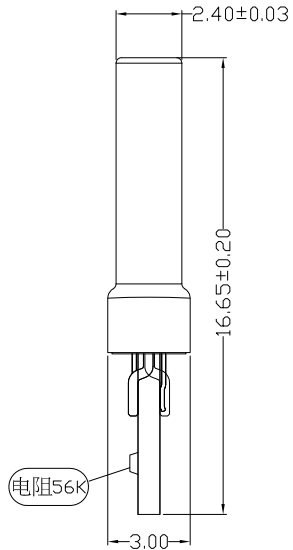
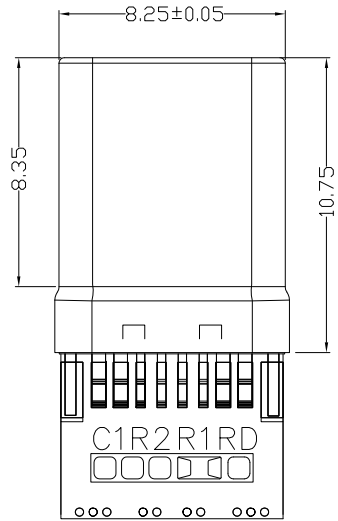
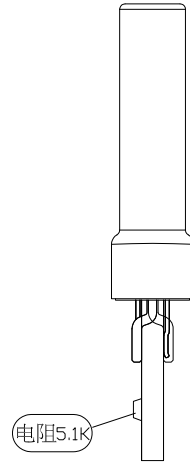
CONTACT	A12			A9	A8	A7	A6	A5	A4			A1
DEFINE	GND			VBUS	SUB1	D-	D+	CC	VBUS			GND
CONTACT	B1			B4	B5	B6	B7	B8	B9			B12
DEFINE	GND			VBUS	CC	D+	D-	SUB2	VBUS			GND

焊板2.0系列，料号/贴料说明：

Type C 2.0 DTG  
焊板料号：042



A1.B1.A12.B12.SHELL GND  
A4.B4.A9.B9. VBUS  
A5 CC  
A6 D+  
A7 D-



NOTES:  
1.ELECTRICAL:  
1)CURRENT RATING: 3AMP MAX;  
2)INSULATION RESISTANCE: 100MΩ MIN;  
3)CONTACT RESISTANCE: 30mΩ MAX;  
4)WITHSTANDING VOLTAGE: 250V AC;  
5)OPERATING TEMPERATURE:-30°C TO +85°C.  
2.Mechanical:  
1)Mating Force: 5N~20N  
2)Unmating Force: 8N~20N  
3)Durability: 10,000 cycles  
3.DIMENSIONS MARKED "▼"  
TO BE CHECKED BY Q.C & IPQC.

4.PART NO.  
USCM-16\*MM-4BSD06-04\*  
W:WHITE  
B:BLACK  
1PA6T  
2PA6T  
3PA9T  
4LCP  
20n-The-Go  
5:3A  
MNMatt nickel  
BNBright nickel

5				X.	±0.25	X.*	±3*	UNITS	mm
4	HOOK	STAINLESS STEEL	1	.X	±0.15			MAT'L	
3	SHELL	STAINLESS STEEL	1	.XX	±0.08			SEE NOTE	
2	TERMINAL	COPPER ALLOY	16	.XXX	±0.03			SEE NOTE	
1	HOUSING	LCP+30%GF	1					Q'TY	
NO	PARTS	MATERIAL	QTY						

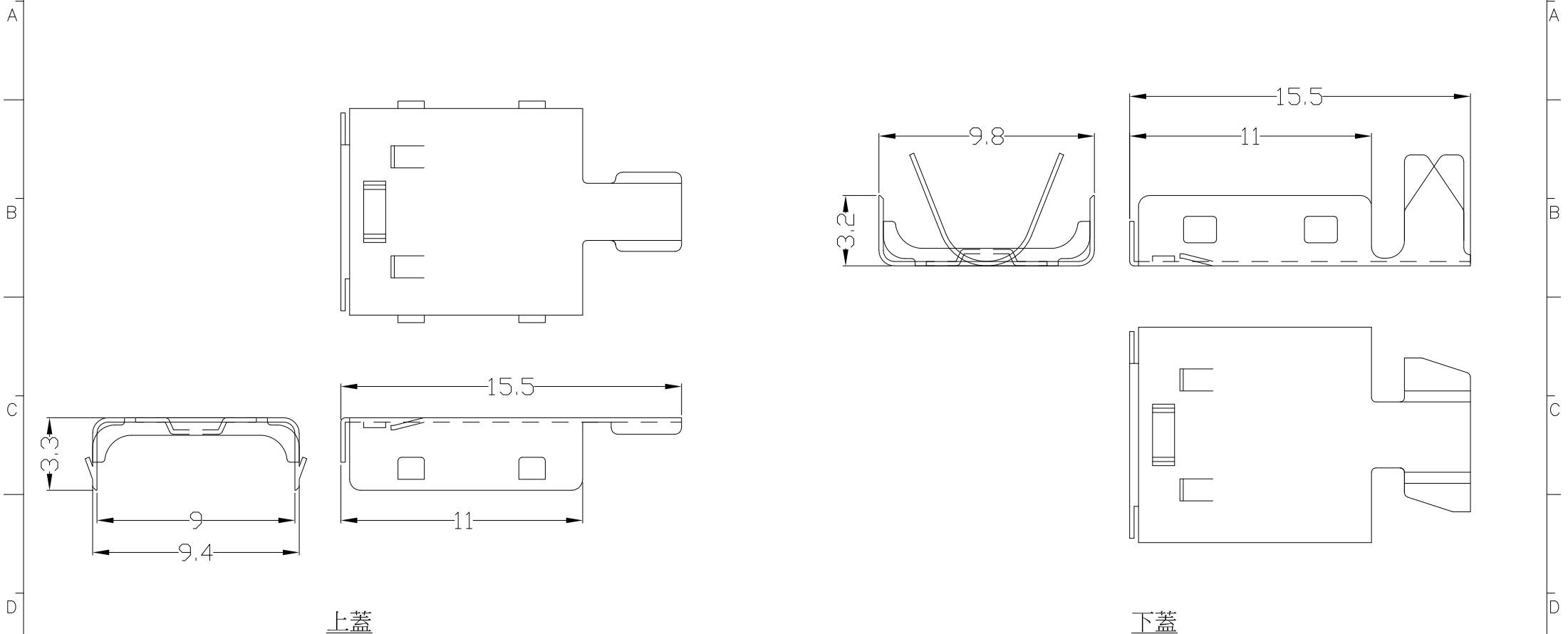
THESE DRAWINGS AND SPECIFICATIONS ARE THE PROPERTY OF ACCURATE INNOTECH INC AND SHALL NOT BE REPRODUCED, COPIED OR USED IN ANY MANNER WITHOUT THE PRIOR WRITTEN CONSENT OF ACCURATE INNOTECH INC

雅安科技有限公司 ACCURATE INNOTECH INC.			
TITLE: USB TYPE CM 2.0 16pin 拉伸壳		PART NO.: USCM-16XXN-4BSD06-04X	
DR: Ricky 2019/08/22		DWG NO.: AII-SD06-04X	
CHKD: Ricky 2019/08/22		SCALE	SHEET
APPD:		1:1	1/1
		REV.	CUSTOMER
		B	DRAWING



RoHS  
Compliant  
2002/95/EC

REV.	ECN.	NO.	APPD.



上蓋

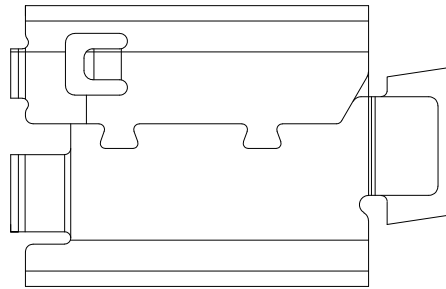
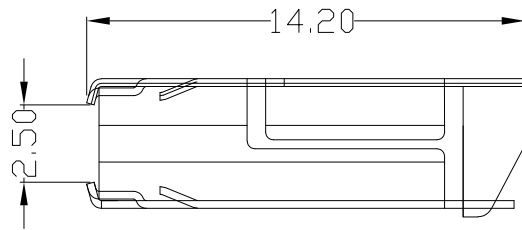
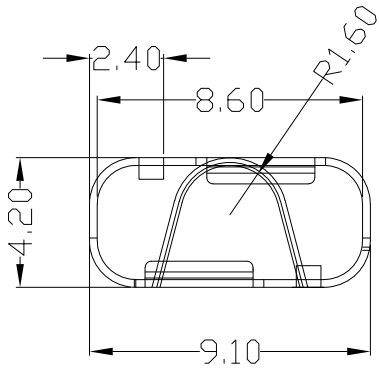
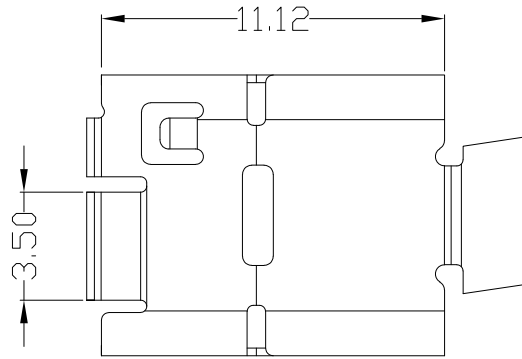
下蓋

5					.X ±0.30	X.* ±1*	UNITS	mm	雅安科技有限公司 <b>ACCURATE INNOTECH INC.</b> TITLE: USB TYPE CM 16PIN 屏蔽壳上下盖 PART NO.: USCM-16XN-4BSD0X-03C DR: <i>Ricky</i> 2021/09/29 DWG NO.: AII-SD0X-03C CHKD: <i>Ricky</i> 2021/09/29 APPD:			
4					.XX ±0.20		MAT'L					
3					.XXX ±0.10		SEE NOTE					
2							FINISH					
1	COVER	STAINLESS STEEL	2	PLATED NICKEL	THESE DRAWINGS AND SPECIFICATIONS ARE THE PROPERTY OF ACCURATE INNOTECH INC. AND SHALL NOT BE REPRODUCED, COPIED OR USED IN ANY MANNER WITHOUT THE PRIOR WRITTEN CONSENT OF ACCURATE INNOTECH INC.			SEE NOTE				
NO	PARTS	MATERIAL	QTY	FINISHING			Q'TY		SCALE	SHEET	REV.	CUSTOMER DRAWING
									1:1	1/1	B	



RoHS  
Compliant  
2002/95/EC

REV.	ECN.	NO.	APPD.



5					.X ±0.30	X.* ±1*	UNITS mm	雅安科技有限公司 ACCURATE INNOTECH INC.				
4					.XX ±0.20		MAT'L					
3					.XXX ±0.10		SEE NOTE	TITLE: USB TYPE CM 16PIN 屏蔽壳	PART NO.: USCM-16XN-4BSD0X-04C			
2							FINISH	DR: <i>Ricky</i> 2021/09/29	DWG NO.: AII-SD0X-04C			
1	COVER	STAINLESS STEEL	1	PLATED NICKEL	THESE DRAWINGS AND SPECIFICATIONS ARE THE PROPERTY OF ACCURATE INNOTECH INC. AND SHALL NOT BE REPRODUCED, COPIED OR USED IN ANY MANNER WITHOUT THE PRIOR WRITTEN CONSENT OF ACCURATE INNOTECH INC.		Q'TY	CHKD: <i>Ricky</i> 2021/09/29	SCALE 1:1	SHEET 1/1	REV. B	CUSTOMER DRAWING
NO	PARTS	MATERIAL	QTY	FINISHING					APPD:			

