



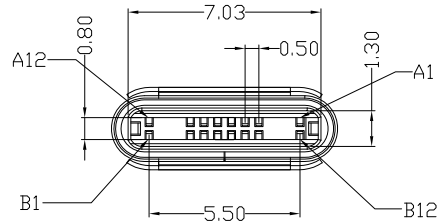
RoHS
Compliant
2002/95/EC

| REV. | ECN. | NO. | APPD. |
|------|------|-----|-------|
| | | | |
| | | | |

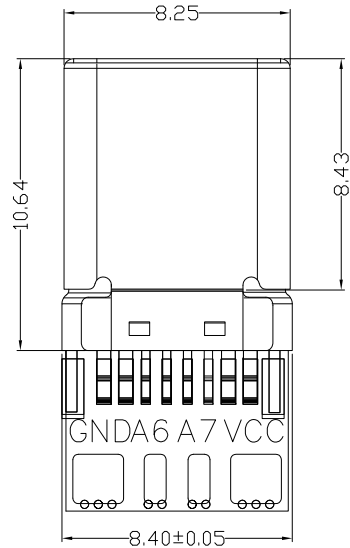
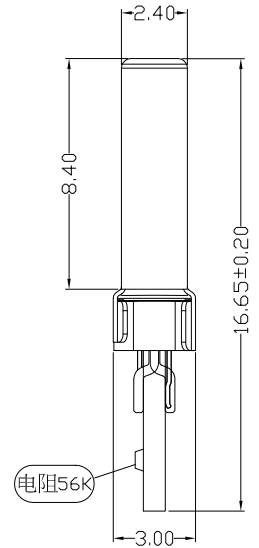
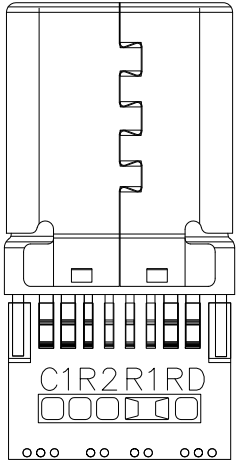
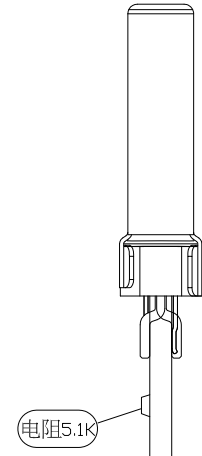
| | | | | | | | | | | | | |
|---------|-----|--|--|------|------|----|----|------|------|--|--|-----|
| CONTACT | A12 | | | A9 | A8 | A7 | A6 | A5 | A4 | | | A1 |
| DEFINE | GND | | | VBUS | SUB1 | D- | D+ | CC | VBUS | | | GND |
| CONTACT | B1 | | | B4 | B5 | B6 | B7 | B8 | B9 | | | B12 |
| DEFINE | GND | | | VBUS | CC | D+ | D- | SUB2 | VBUS | | | GND |

焊板2.0系列，料号/贴料说明：

Type C 2.0 DTG
焊板料号：042



A1.B1.A12.B12.SHELL GND
A4.B4.A9.B9. VBUS
A5 CC
A6 D+
A7 D-



NOTES:
1.ELECTRICAL:
1)CURRENT RATING: 3AMP MAX;
2)INSULATION RESISTANCE: 100MΩ MIN;
3)CONTACT RESISTANCE: 30mΩ MAX;
4)WITHSTANDING VOLTAGE: 250V AC;
5)OPERATING TEMPERATURE:-30°C TO +85°C.
2.Mechanical:
1)Mating Force: 5N~20N
2)Unmating Force: 8N~20N
3)Durability: 10,000 cycles
3.DIMENSIONS MARKED "▼"
TO BE CHECKED BY Q.C & IPQC.

4.PART NO.
USCM-16*MMN-4BSD07-04*
W:WHITE
B:BLACK
1PA9T
2PA6T
3PA9T
4LCP
20n-The-Go
5:3A
MNMatt nickel
BNBright nickel

| | | | | | | | | | |
|----|----------|-----------------|-----|------|-------|-----|-----|----------|----|
| 5 | | | | X. | ±0.25 | X.* | ±3* | UNITS | mm |
| 4 | HOOK | STAINLESS STEEL | 1 | .X | ±0.15 | | | MAT'L | |
| 3 | SHELL | STAINLESS STEEL | 1 | .XX | ±0.08 | | | SEE NOTE | |
| 2 | TERMINAL | COPPER ALLOY | 16 | .XXX | ±0.03 | | | SEE NOTE | |
| 1 | HOUSING | LCP+30%GF | 1 | | | | | Q'TY | |
| NO | PARTS | MATERIAL | QTY | | | | | | |

THESE DRAWINGS AND SPECIFICATIONS ARE THE PROPERTY OF ACCURATE INNOTECH INC AND SHALL NOT BE REPRODUCED, COPIED OR USED IN ANY MANNER WITHOUT THE PRIOR WRITTEN CONSENT OF ACCURATE INNOTECH INC

雅安科技有限公司
ACCURATE INNOTECH INC.

TITLE: USB TYPE CM 2.0 16pin
冲压壳

PART NO.: USCM-16XXN-4BSD07-04X

DR: Ricky 2019/08/22

DWG NO.: AII-SD07-04X

CHKD: Ricky 2019/08/22

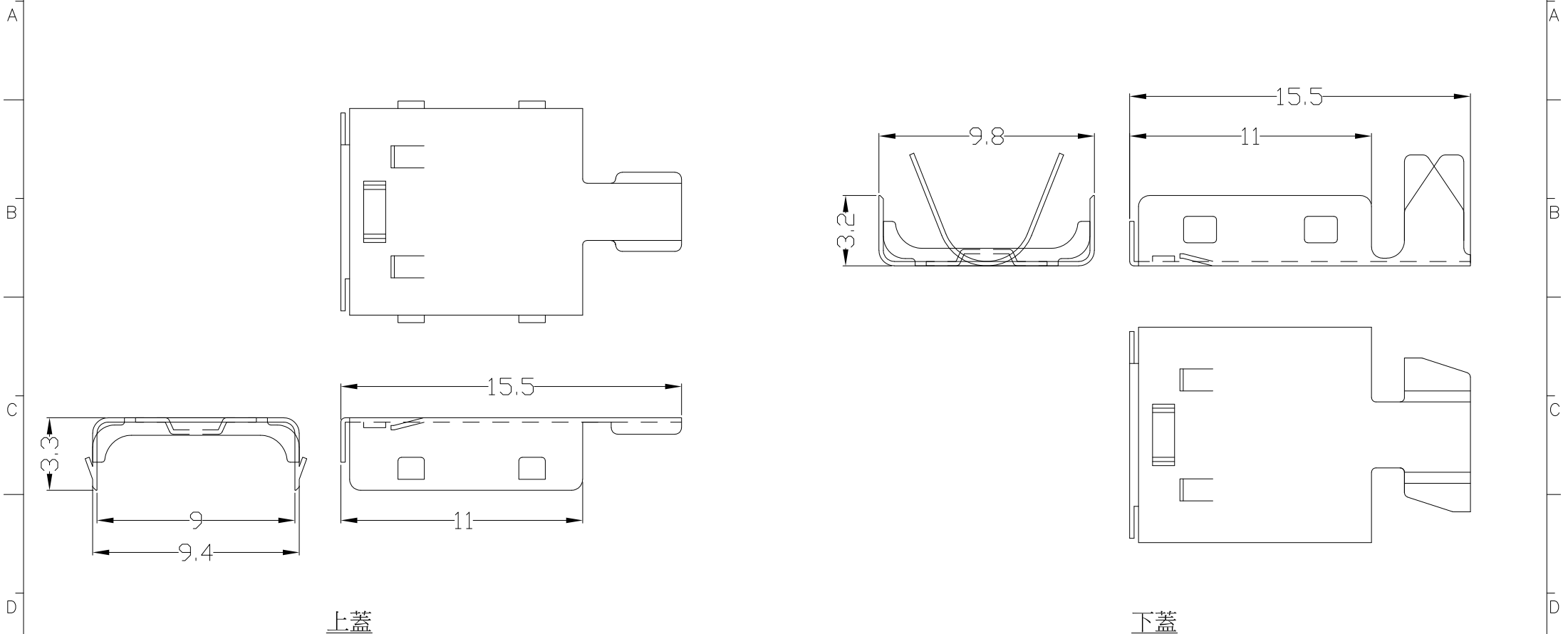
APPD:

SCALE: 1:1 SHEET: 1/1 REV.: B CUSTOMER DRAWING



RoHS
Compliant
2002/95/EC

| REV. | ECN. | NO. | APPD. |
|------|------|-----|-------|
| | | | |
| | | | |
| | | | |



上盖

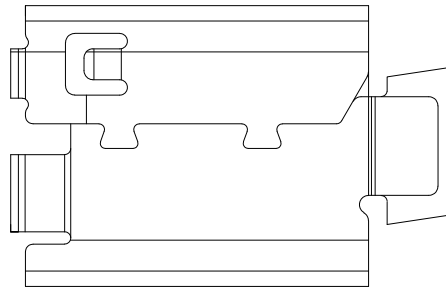
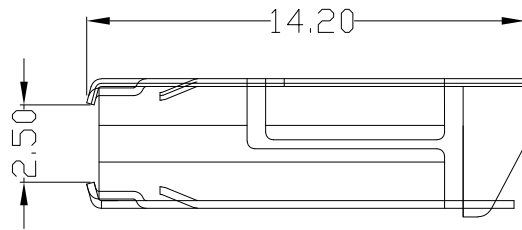
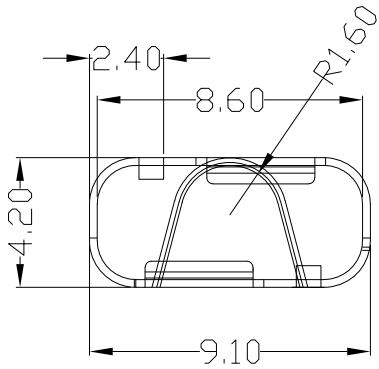
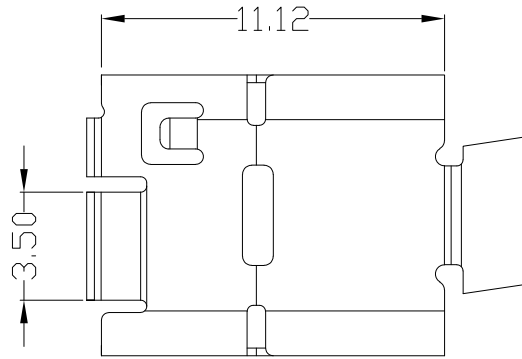
下盖

| | | | | | | | | | | | | |
|----|-------|-----------------|-----|---------------|--|---------|----------|----------|---|-------|------|------------------|
| 5 | | | | | .X ±0.30 | X.* ±1* | UNITS | mm | 雅安科技有限公司 ACCURATE INNOTECH INC. TITLE: USB TYPE CM 16PIN 屏蔽壳上下盖 PART NO.: USCM-16XN-4BSD0X-03C DR: <i>Ricky</i> 2021/09/29 DWG NO.: AII-SD0X-03C CHKD: <i>Ricky</i> 2021/09/29 APPD: | | | |
| 4 | | | | | .XX ±0.20 | | MAT'L | | | | | |
| 3 | | | | | .XXX ±0.10 | | SEE NOTE | | | | | |
| 2 | | | | | | | FINISH | | | | | |
| 1 | COVER | STAINLESS STEEL | 2 | PLATED NICKEL | THESE DRAWINGS AND SPECIFICATIONS ARE THE PROPERTY OF ACCURATE INNOTECH INC. AND SHALL NOT BE REPRODUCED, COPIED OR USED IN ANY MANNER WITHOUT THE PRIOR WRITTEN CONSENT OF ACCURATE INNOTECH INC. | | | SEE NOTE | | | | |
| NO | PARTS | MATERIAL | QTY | FINISHING | | | Q'TY | | SCALE | SHEET | REV. | CUSTOMER DRAWING |
| | | | | | | | | | 1:1 | 1/1 | B | |



RoHS
Compliant
2002/95/EC

| REV. | ECN. | NO. | APPD. |
|------|------|-----|-------|
| | | | |
| | | | |



| | | | | | | | | | | | | | | |
|----|-------|-----------------|-----|---------------|--|---------|----------|----------|------------------------------------|--------------------------|-------|----------------------|---|-------|
| 5 | | | | | .X ±0.30 | X.* ±1* | UNITS | mm | 雅安科技有限公司 ACCURATE INNOTECH INC. | | | | | |
| 4 | | | | | .XX ±0.20 | | MAT'L | | | | | | | |
| 3 | | | | | .XXX ±0.10 | | SEE NOTE | | TITLE: | PART NO.: | | | | |
| 2 | | | | | | | FINISH | | DR: | USB TYPE CM 16PIN 屏蔽壳 | | USCM-16XN-4BSD0X-04C | | |
| 1 | COVER | STAINLESS STEEL | 1 | PLATED NICKEL | THESE DRAWINGS AND SPECIFICATIONS ARE THE PROPERTY OF ACCURATE INNOTECH INC. AND SHALL NOT BE REPRODUCED, COPIED OR USED IN ANY MANNER WITHOUT THE PRIOR WRITTEN CONSENT OF ACCURATE INNOTECH INC. | | | SEE NOTE | CHKD: | Ricky 2021/09/29 | | DWG NO.: | | |
| NO | PARTS | MATERIAL | QTY | FINISHING | | | | | Q'TY | | APPD: | Ricky 2021/09/29 | | SCALE |
| | | | | | | | | | | | 1:1 | 1/1 | B | |

