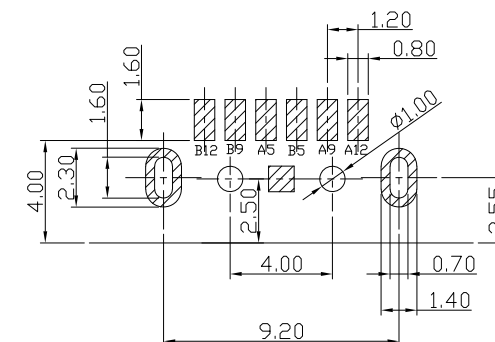
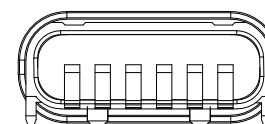
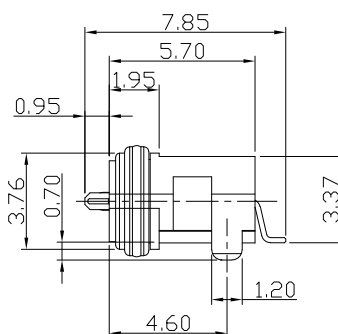
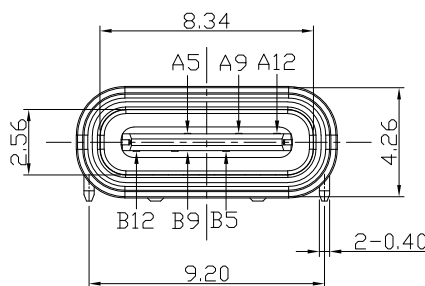
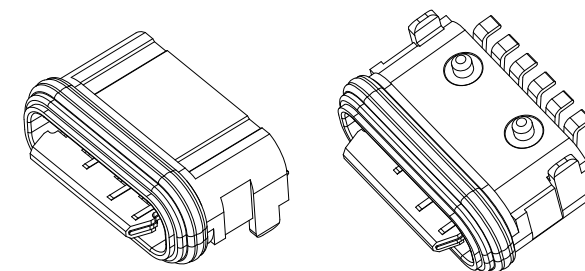
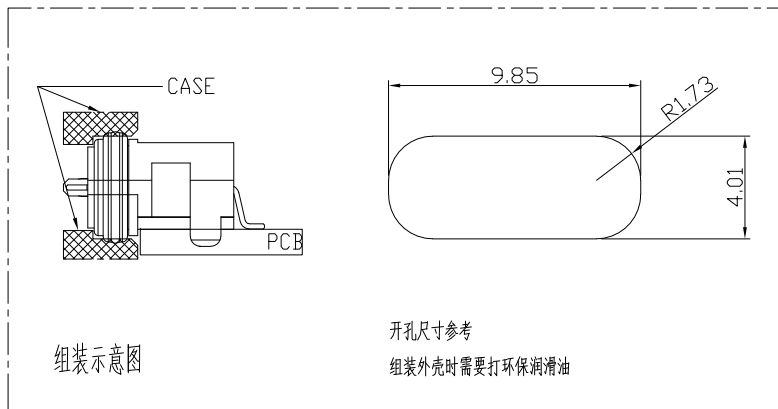
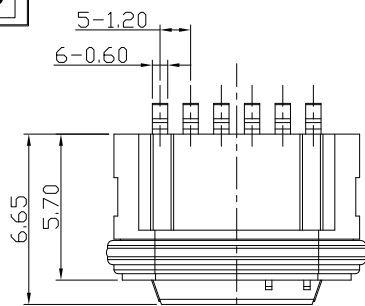


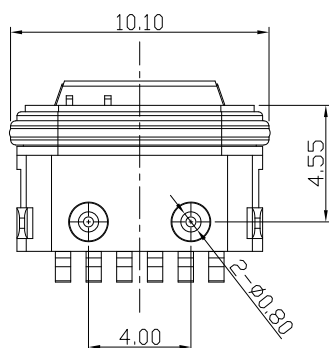
RoHS Compliant  
2002/95/EC  
Halogen Free



REV.	ECN. NO.	APPD.



RECOMMENDED P.C.B LAYOUT  
TOP VIEW (TOLRANCE:±0.05)



NOTES:

1.ELECTRICAL:

- CURRENT RATING: 3A MAX.
- INSULATION RESISTANCE: 100MΩ MIN.;
- CONTACT RESISTANCE: 30mΩ MAX.(INITIAL);
- WITHSTANDING VOLTAGE: 100V AC MIN.;
- OPERATING TEMPERATURE:-30°C TO +80°C.

2.Mechanical:

- Mating Force: 5N~20N
- Unmating Force: 6N~20N
- Durability: 10,000 cycles

3.DIMENSIONS MARKED "▼"  
TO BE CHECKED BY Q.C & IPQC.

4.PART NO.

UWCF-061N-7BVB12

1Au 1U\*  
2Au 3U\*  
5Au 15U\*  
6Au 30U\*  
1PBT  
2PA6T  
3PA9T  
4LCP  
7PA10T

W:WHITE  
B:BLACK

A5	CC1	B12	GND
A9	VBUS	B9	VBUS
A12	GND	B5	CC2
PIN	SIGNAL NAME	PIN	SIGNAL NAME

6				X.	±0.50	X.*	±2*	UNITS	mm
5				.X	±0.30	.X*	±1*	MAT'L	SEE NOTE
4	WATERPROOF RING	SILICONE RUBBER	1	.XX	±0.10	.XX*	±0.5*	FINISH	SEE NOTE
3	SHELL	ZINC ALLOY	1	.XXX	±0.05			Q'TY	SEE NOTE
2	CONTACT	COPPER ALLOY	6						
1	HOUSING	PA10T+30%GF	1						
NO	PARTS	MATERIAL	QTY	FINISHING					

THESE DRAWINGS AND SPECIFICATIONS ARE THE PROPERTY OF ACCURATE INNOTECH INC AND SHALL NOT BE REPRODUCED, COPIED OR USED IN ANY MANNER WITHOUT THE PRIOR WRITTEN CONSENT OF ACCURATE INNOTECH INC

雅安科技有限公司 ACCURATE INNOTECH INC.			
TITLE: USB TYPE CF 6P 单排贴板 板上防水型		PART NO.: UWCF-06XN-7BVB12	
DR: Ricky 2021/08/05		DWG NO.: AII-VB12	
CHKD: Ricky 2021/08/05		SCALE	SHEET
APPD:		1:1	1/1
		REV.	CUSTOMER DRAWING
		B	