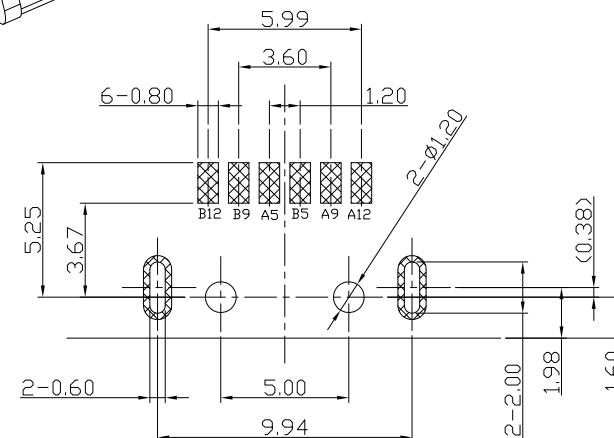
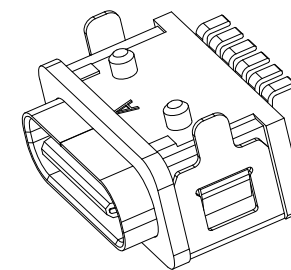
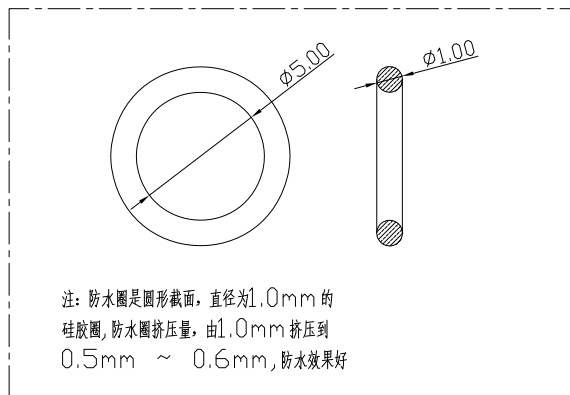
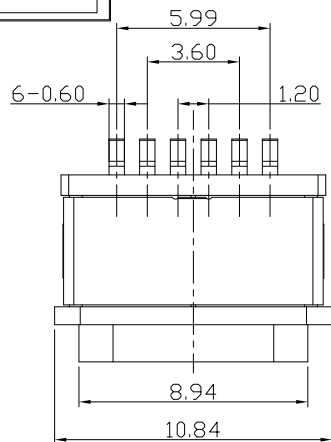


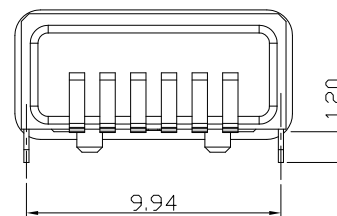
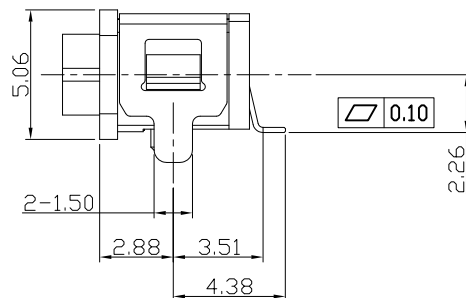
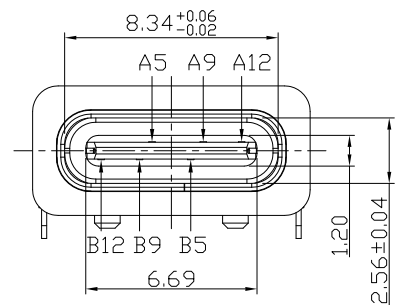
Pb  
Process Capable  
RoHS Compliant  
2002/95/EC  
Halogen Free

60Min/>1m  
IP-X8

REV.	ECN.	NO.	APPD.



Recommended P.C.B. Layout  
Unspecified tolerance: ±0.05  
(Top view)



A5	CC1	B12	GND
A9	VBUS	B9	VBUS
A12	GND	B5	CC2
PIN	SIGNAL NAME	PIN	SIGNAL NAME

NOTES:

- ELECTRICAL:
  - CURRENT RATING: 3A MAX.
  - INSULATION RESISTANCE: 100MΩ MIN.;
  - CONTACT RESISTANCE: 40mΩ MAX.(INITIAL);
  - WITHSTANDING VOLTAGE: 100V AC MIN.;
  - OPERATING TEMPERATURE: -30°C TO +85°C.
- Mechanical:
  - Mating Force: 5N~20N
  - Unmating Force: 8N~20N
  - Durability: 10,000 cycles
- DIMENSIONS MARKED "▼" TO BE CHECKED BY Q.C & IPQC.

4.PART NO.

UWCF-061N-7BVVB15

1Au 1U\*  
2Au 3U\*  
5Au 15U\*  
6Au 30U\*

1PBT  
2PA6T  
3PA9T  
4LCP  
7PA10T

W:WHITE  
B:BLACK

6				X.	±0.50	X.*	±2*	UNITS	mm
5	WATERPROOF RING	SILICONE RUBBER	1	BLACK	X.	±0.30	.X.*	MAT'L	
4	SHELL-2	STAINLESS STEEL	1	PLATED NICKEL	.XX	±0.10	.XX.*	SEE NOTE	
3	SHELL-1	STAINLESS STEEL	1	PLATED NICKEL	.XXX	±0.05		FINISH	
2	CONTACT	COPPER ALLOY	6	PLATED GOLD/NICKEL				SEE NOTE	
1	HOUSING	PA10T+30%GF	1	UL94V-0				Q'TY	
NO	PARTS	MATERIAL	QTY	FINISHING					

THESE DRAWINGS AND SPECIFICATIONS ARE THE PROPERTY OF ACCURATE INNOTECH INC AND SHALL NOT BE REPRODUCED, COPIED OR USED IN ANY MANNER WITHOUT THE PRIOR WRITTEN CONSENT OF ACCURATE INNOTECH INC

<b>雅安科技有限公司</b> <b>ACCURATE INNOTECH INC.</b>			
TITLE: USB TYPE CF 6P 单排贴板 两脚插板 板上防水型		PART NO.: UWCF-06XN-7BVVB15	
DR: <i>Ricky</i> 2021/08/10		DWG NO.: AII-VB15	
CHKD: <i>Ricky</i> 2021/08/10		SCALE	SHEET
APPD:		1:1	1/1
		REV.	CUSTOMER DRAWING
		B	