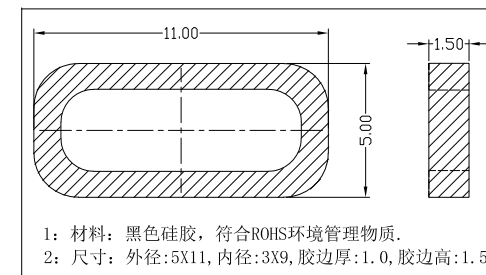
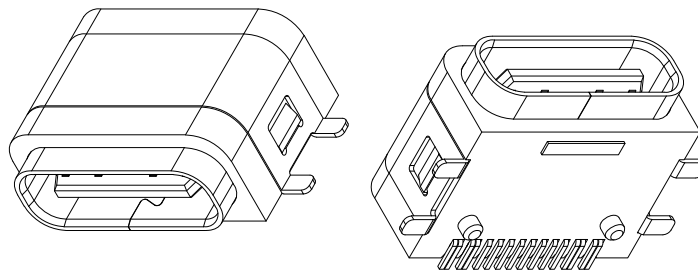
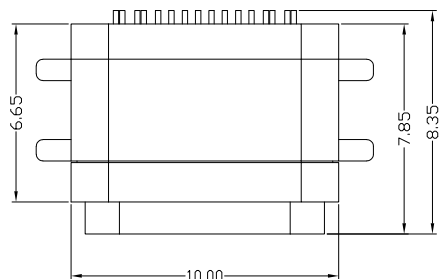




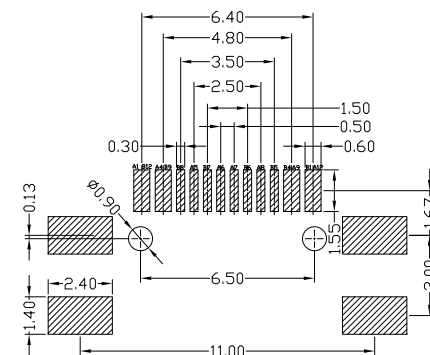
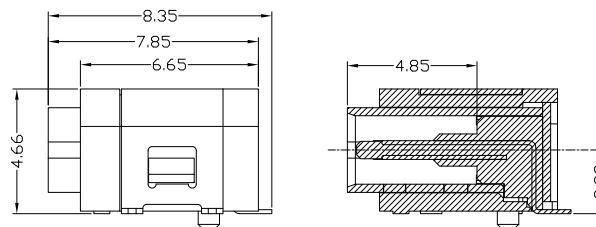
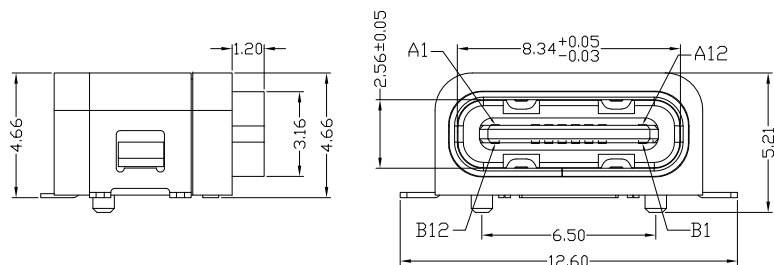
RoHS Compliant
2002/95/EC



REV.	ECN. NO.	APPD.



建议防水圈



RECOMMENDED P.C.B. LAYOUT
TOLERANCE UNSPECIFIED ±0.05mm

PIN ASSIGNMENT:

Pin No.	Signal Name	Pin No.	Signal Name
A1	GND	B12	GND
A2		B11	
A3		B10	
A4	VBUS	B9	VBUS
A5	CC1	B8	SBU2
A6	D+	B7	D-
A7	D-	B6	D+
A8	SBU1	B5	CC2
A9	VBUS	B4	VBUS
A10		B3	
A11		B2	
A12	GND	B1	GND

NOTES:

- ELECTRICAL:
 - VOLTAGE CURRENT RATING: 5A MAX
 - INSULATION RESISTANCE: 100MΩ MIN;
 - CONTACT RESISTANCE: 40mΩ MAX.
 - WITHSTANDING VOLTAGE: 100V AC MIN;
 - OPERATING TEMPERATURE: -40°C TO +85°C.

2.Mechanical:

- Mating Force: 5N~20N
- Unmating Force: 8N~20N
- Durability: 10,000 cycles

3.DIMENSIONS MARKED "▼"
TO BE CHECKED BY Q.C & IPQC.

4.PART NO.
UWCF-161N-4BVC20

1:Au 1U"
2:Au 3U"
6:Au 30U"

W:WHITE
B:BLACK
1:PBT
2:PA6T
3:PA9T
4:LCP

Bill of materials:

NO	PARTS	MATERIAL	QTY	FINISHING	.X	±0.30	X.*	±1*	UNITS
6	O-RING	SILICONE RUBBER	1	BLACK	.X	±0.30	X.*	±1*	mm
5	SHELL	STAINLESS STEEL	1	PLATED NICKEL	.XX	±0.20			MAT'L
4	SHIELD PLATE	STAINLESS STEEL	1	PLATED NICKEL	.XXX	±0.10			SEE NOTE
3	CONTACT	COPPER ALLOY	16	PLATED GOLD					FINISH
2	SHELL HOUSING	LCP+30%GF	1	UL94V-0					SEE NOTE
1	HOUSING	LCP+30%GF	1	UL94V-0					Q'TY

THESE DRAWINGS AND SPECIFICATIONS ARE THE PROPERTY OF ACCURATE INNOTECH AND SHALL NOT BE REPRODUCED, COPIED OR USED IN ANY MANNER WITHOUT THE PRIOR WRITTEN CONSENT OF ACCURATE INNOTECH INC.



雅安科技有限公司 ACCURATE INNOTECH INC.			
TITLE: USB TYPE CF 单排16P 四脚贴板 板上 防水型		PART NO.: UWCF-16XN-4BVC20	
DR: Ricky 2022/07/08		DWG NO.: AII-VC20	
CHKD: Ricky 2022/07/08		SCALE	SHEET
APPD:	1:1	1/1	REV. B
			CUSTOMER DRAWING