



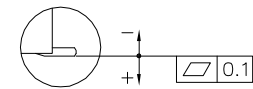
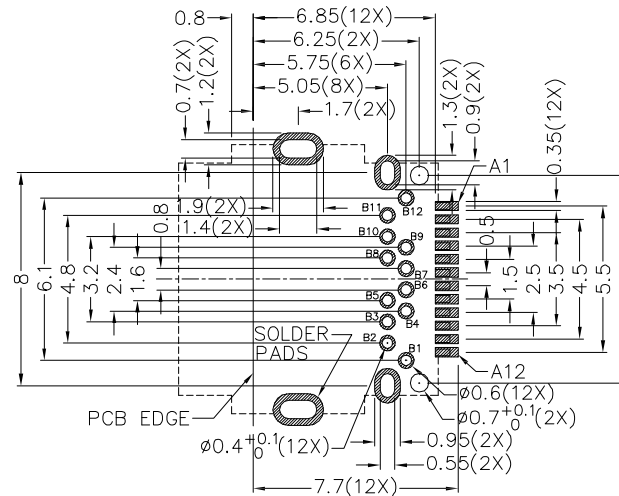
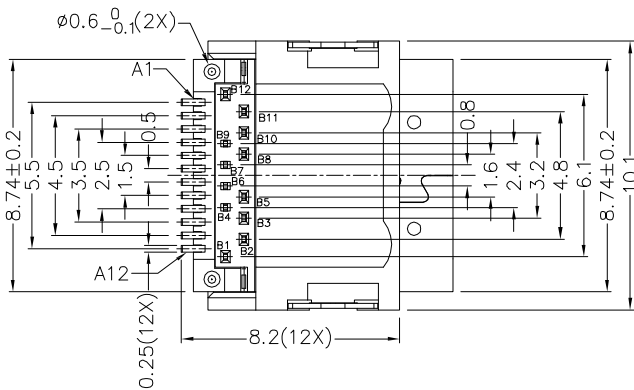
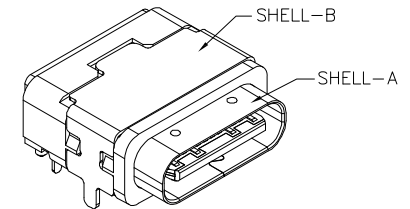
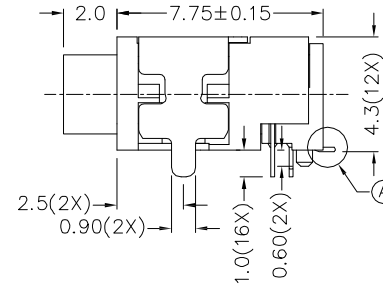
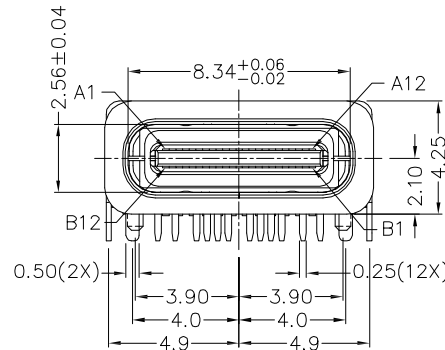
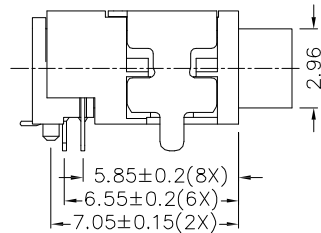
RoHS
Compliant
2002/95/EC



Halogen Free

PIN NO.	A1	A2	A3	A4	A5	A6	A7	A8	A9	A10	A11	A12
	GND	TX1+	TX1-	Vbus	CC1	D+	D-	SBU1	Vbus	RX2-	RX2+	GND
PIN NO.	B12	B11	B10	B9	B8	B7	B6	B5	B4	B3	B2	B1
	GND	RX1+	RX1-	Vbus	SBU2	D-	D+	CC2	Vbus	TX2-	TX2+	GND

REV.	ECN.	NO.	APPD.



A DETAIL COPLANARITY

4. PART NO.
UWCF-241N-7BVT30

- 1:AU 1U'
- 2:AU 3U'
- 5:AU 15U'
- 6:AU 30U'
- 1:PBT
- 2:PA6T
- 3:PA9T
- 4:4CP
- 7:PA10T

NOTES:

1. ELECTRICAL:
 - 1) CURRENT RATING: 5A<VBUS PIN AND GND PIN 1.25A/PIN>, 0.25A/PIN<OTHER PIN>.
 - 2) INSULATION RESISTANCE: 100MΩ MIN 500V DC;
 - 3) CONTACT RESISTANCE: INITIAL 40mΩ MAX; AFTER 50mΩ MAX;
 - 4) WITHSTANDING VOLTAGE: 100V AC MIN;
 - 5) OPERATING TEMPERATURE:-25°C TO +80°C.
2. Mechanical:
 - 1) Mating Force: 5N~20N MAX.
 - 2) Unmating Force: 8N~20N<INITIAL> 6N~20N<AFTER 10000 CYCLES> MIN.
 - 3) Durability: 10,000 CYCLES.;
3. DIMENSIONS MARKED "▼"
TO BE CHECKED BY Q.C & IPQC.

Bill of materials:

NO	PARTS	MATERIAL	QTY	FINISHING	UNITS	TOLERANCE
7	HOUSING	PA10T+30%GF	1	UL94V-0	.X	±0.20
6	INSULATOR	PA10T+30%GF	1	UL94V-0	.XX	±0.10
5	MIDDLE PLATE	STAINLESS STEEL	1	PLATED NICKEL	.XXX	±0.05
4	INNER GROUND COVER SHELL	STAINLESS STEEL	1	PLATED NICKEL		
3	SHELL-B	COPPER ALLOY	1	PLATED NICKEL		
2	SHELL-A	STAINLESS STEEL	1	PLATED NICKEL		
1	CONTACT	COPPER ALLOY	24	PLATED GOLD		
NO	PARTS	MATERIAL	QTY	FINISHING		

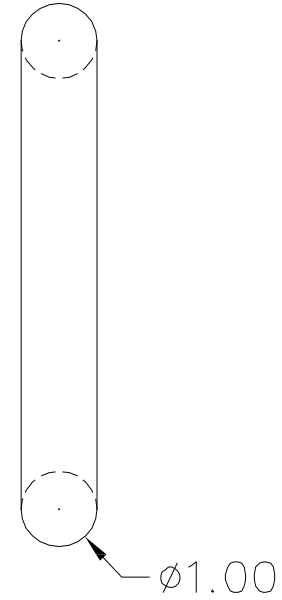
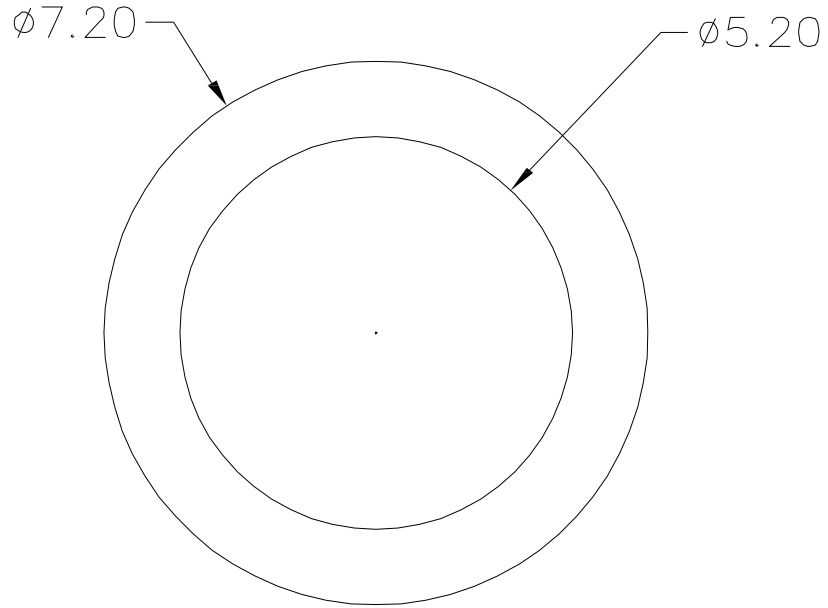
雅安科技有限公司 ACCURATE INNOTECH INC.			
TITLE: WATERPROOF DUSTPROOF USB 3.1 TYPE CF CONN		PART NO.: UWCF-24XN-7BVT30	
DR: Ricky 2020/06/18		DWG NO.: AII-VT30	
CHKD: Ricky 2020/06/18		SCALE	SHEET
APPD:	REV.:	4:1	1/1
		REV.:	B
		CUSTOMER DRAWING	

THESE DRAWINGS AND SPECIFICATIONS ARE THE PROPERTY OF ACCURATE INNOTECH INC AND SHALL NOT BE REPRODUCED, COPIED OR USED IN ANY MANNER WITHOUT THE PRIOR WRITTEN CONSENT OF ACCURATE INNOTECH INC.



RoHS
Compliant
2002/95/EC

REV.	ECN.	NO.	APPD.



MATERIAL
M1.MATERIAL: Silicone,94V-0
M2.HARDNESS: 70°

Bill of materials:

NO	PARTS	MATERIAL	QTY	FINISHING		UNITS	雅安科技有限公司 ACCURATE INNOTECH INC.			
4					.X ± 0.20	mm	TITLE: □-RING		PART NO.: □-RING-5	
3					.XX ± 0.10	MAT'L	DR: <i>Ricky</i> 2020/06/18		DWG NO.: AII-RING-5	
2					.XXX ± 0.05	SEE NOTE	CHKD: <i>Ricky</i> 2020/06/18		SCALE SHEET REV. CUSTOMER	
1						FINISH	APPD:		10:1 1/1 B DRAWING	
						SEE NOTE				
						Q'TY				

THESE DRAWINGS AND SPECIFICATIONS ARE THE PROPERTY OF ACCURATE INNOTECH INC. AND SHALL NOT BE REPRODUCED, COPIED OR USED IN ANY MANNER WITHOUT THE PRIOR WRITTEN CONSENT OF ACCURATE INNOTECH INC.